



# 600 Series Electric Griddle

Instruction manual



<b>EN</b>	<b>600 Series Electric Griddle</b>	2
	<a href="#">Instruction manual</a>	
<b>NL</b>	<b>600-serie elektrische bakplaat</b>	9
	<a href="#">Gebruikshandleiding</a>	
<b>FR</b>	<b>Planche à griller électrique de la série 600</b>	16
	<a href="#">Mode d'emploi</a>	

<b>DE</b>	<b>600 Serie Elektrische Grillplatte</b>	23
	<a href="#">Bedienungsanleitung</a>	
<b>IT</b>	<b>Piastra elettrica Serie 600</b>	30
	<a href="#">Manuale di istruzioni</a>	
<b>ES</b>	<b>Parrilla eléctrica serie 600</b>	37
	<a href="#">Manual de instrucciones</a>	

**Model • Model • Modèle • Modell • Modello • Modelo:**  
**CU473/CU473-E/CU474/CU474-E/CU475/CU475-E/  
HT753/HT754/HT755**

## Safety Instructions

### **DANGER OF HIGH VOLTAGE!**

#### **Electrical requirements:**

**Always switch off and disconnect the power supply to the appliance before installation, when not in use, before cleaning and maintenance/service.**


**This appliance should only be connected to the mains electricity supply by a qualified electrician. Hardwire the appliance into a suitable power supply with correct voltage and sufficient power capacity. Refer to the rating label on the appliance for voltage and wattage requirements.**

**Connect the appliance to a circuit protected by an appropriate RCD (Residual Current Device).**

**Under no circumstances put a plug on the cable (for hardwired appliances only).**

**Failure to comply with these safety instructions will release Buffalo from any responsibility and the warranty will become null and void.**

- Position on a flat, stable surface.
- A service agent/qualified technician should carry out installation and any repairs if required. Do not remove any components on this product.
- Consult Local and National Standards to comply with the following:
  - Health and Safety at Work Legislation
  - BS EN Codes of Practice
  - Fire Precautions
  - IEE Wiring Regulations
  - Building Regulations

- **Some surfaces become hot during operation. Take care when using the appliance.**
  - **During and after cooking, the unit is still hot. Never touch the surface to avoid scalding.**
- 
- DO NOT immerse the appliance in water.
  - DO NOT clean with jet/pressure washers.
  - DO NOT carry when hot.
  - DO NOT leave the appliance unattended during operation.
  - DO NOT obstruct or cover the appliance in any way when in use.
  - Not suitable for outdoor use.
  - Always switch off and disconnect the power supply to the appliance when not in use.
  - This appliance must only be used in accordance with these instructions and by persons competent to do so.
  - Keep all packaging away from children. Dispose of the packaging in accordance to the regulations of local authorities.
  - If the power cord is damaged, it must be replaced by a Buffalo agent or a recommended qualified technician in order to avoid a hazard.
  - This appliance is not intended for use by persons (including children) with reduced physical, sensory or mental capabilities, or lack of experience or knowledge, unless they have been given supervision or instruction concerning the use of the appliance by a person responsible for their safety.
  - Children should be supervised to ensure that they do not play with the appliance.
  - Buffalo recommend that this appliance should be periodically tested (at least annually) by a Competent Person. Testing should include, but not be limited to: Visual Inspection, Polarity Test, Earth Continuity, Insulation Continuity and Functional Testing.

## Introduction

Please take a few moments to carefully read through this manual. Correct maintenance and operation of this machine will provide the best possible performance from your Buffalo product.

### Buffalo will not accept liability for product failures in the event that:

- The instructions in this manual have not been followed correctly.
- Unqualified or unauthorized personnel have adjusted the Fryer.
- Non-original spare parts are used.
- The appliance has not been handled and cleaned correctly.
- The appliance has been used for a purpose for which it was not intended.
- The appliance is used by personnel not trained or unfamiliar with the usage of the unit.

## Pack Contents

The following is included:

- Buffalo griddle
- Instruction manual

BUFFALO prides itself on quality and service, ensuring that at the time of unpacking the contents are supplied fully functional and free of damage.

Should you find any damage as a result of transit, please contact your BUFFALO dealer immediately.

## Installation



**Warning: Incorrect installation, operation, maintenance or cleaning of the equipment, as well as any modification can cause property damage and personal casualty. Fully read and understand all instructions before installation.**

**Before installation and operation, it is the user's responsibility to ensure that all Health & Safety regulations concerning safe positioning, spacing, ventilation, electrical installation, and fire risk, are complied with.**

- Remove the appliance from the packaging, ensuring that all protective packaging, plastic and residues are thoroughly cleaned from its surfaces.
- Place the unit on a heat-resistant surface. Avoid placing it on or close to flammable materials. Maintain a distance of 20cm (7 inches) between the appliance and walls or other objects for ventilation.
- Keep the unit away from splashing water and countertop's edge.

### Electrical wiring (for CU473-E/CU474-E and HT753/HT754 only)

The plug is to be connected to a suitable mains socket.

This appliance is wired as follows:

- Live wire (coloured brown) to terminal marked L
- Neutral wire (coloured blue) to terminal marked N
- Earth wire (coloured green/yellow) to terminal marked E



This appliance must be earthed.

If in doubt consult a qualified electrician.

Electrical isolation points must be kept clear of any obstructions. In the event of any emergency disconnection being required they must be readily accessible.

## Electrical wiring



### **DANGER of electric shock from incorrect connection**

**There is a danger to life if the wires are incorrectly connected.**

**Connection to a suitable power supply should only be carried out by a qualified and competent electrical engineer.**

**Warning: The fixed wiring of the power cord connection must be equipped with a disconnect device (leakage protection switch) with a contact distance greater than 30mm according to the wiring rules.**

Connect the unit in accordance with the applicable regulations of your country, federal state, city or local authority.

Connect the unit to a standard energy supply network.

For a proper electrical connection, adjust the power ratings to the local circumstances and requirements.



Equipotential bonding terminal in electrical appliances is to connect exposed metal and conductive parts of electrical devices and other devices in electrical appliances with artificial or natural grounding conductors to reduce potential differences (reduce and prevent the risk of electric shock).

- This appliance is supplied unplugged and require hardwiring to a suitable electrical power supply.  
CU473 and CU474 requires a 3kW 230V one-phase circuit at 50-60Hz  
CU475 requires a 4.5kW 400V three-phase circuit at 50-60Hz  
HT755 requires a 4.5kw 230V one-phase circuit at 50-60Hz
- Connect the wires correctly according to their colour coding. This appliance is wired as follows:

Wire colour	Wire function	To terminals of power supply
Yellow/green	Earth wire, protective conductor	Terminal marked E
Blue	Neutral wire, neutral conductor	Terminal marked N
Brown, grey and black	Live wires, Phase L1, L2, L3	Terminal marked L1, L2, L3

- The appliance must be earthed. If in doubt consult a qualified electrician.
- Electrical isolation points must be kept clear of any obstructions. In the event of any emergency disconnection being required they must be readily accessible.

## Assembly

This appliance is fitted with adjustable feet to enable the unit to be positioned securely and level. This should be carried out on completion of the electrical connection. Refer to the 'Electrical wiring' section as above. No further assembly is required.

**Note: Before using for the first time, clean all parts well. Let dry completely.**

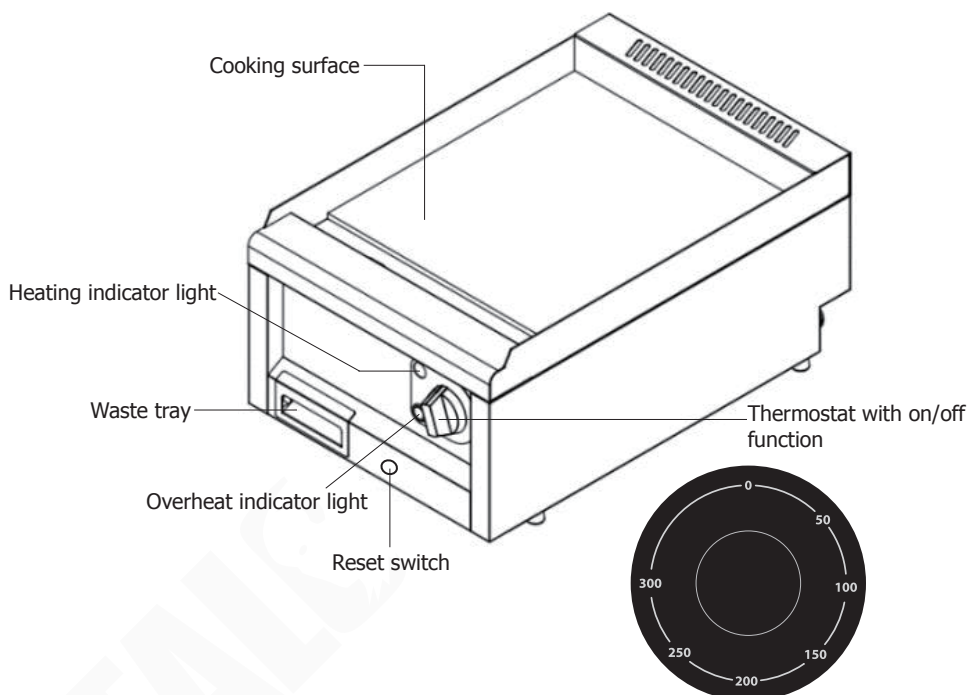
## Before first time use

Before using for the first time the cooking surface needs to be seasoned.

1. Ensure the cooking surfaces are clean, then brush the surfaces with cooking oil.
2. Turn the appliance On at the mains power supply and set the thermostat to 110°C. The heating indicator light turns on.
3. When the set temperature is reached, the Heating indicator light turns Off.
4. Turn the appliance Off and allow it to cool before wiping away any excess oil.
5. The appliance is now ready to use.

## Operation

(Model shown: CU473)



## Cooking

**Note: BUFFALO recommend the cooking surface is lightly oiled before cooking.**

1. Turn the appliance On at the mains power supply.
2. Set the thermostat to the desired temperature (50°C-300°C). The heating indicator light comes on and the appliance begins to heat up.
  - **Note: Setting the thermostat to a higher setting than required will not shorten the heating time.**
3. When the set temperature is reached, the Heating indicator light turns Off.
  - **Note: During use, the heating indicator light will cycle on/off, indicating the set temperature is being maintained.**
4. Place the foodstuffs on the cooking surface and cook as required.
5. After use, set the thermostat to "0" (OFF position) and disconnect the appliance from power supply.

**Warning: The foods and cooking surfaces are very hot. Take care to avoid any burns!**

## Thermal Cut-out Reset

The appliance is fitted with a Thermal Cut-Out safety switch. Should the temperature exceed safe levels the appliance will automatically cut off power.

The thermal Cut-out switch is located on the front of the unit. To reset the appliance after a sufficient cool-down period:

1. Unscrew the reset switch cover.
2. Press the small reset switch down until it clicks, using a blunt pointed instrument.
3. The appliance is now reset and can be used as normal.

## Cleaning, Care & Maintenance

**The appliance should be cleaned after each day's operation; however it may require cleaning more often, depending on the volume of grilling carried out.**

**Do not use any abrasive cleaning agents on the appliance.**

If grease is permitted to accumulate, it will begin to carbonise into a hard substance that is extremely difficult to remove. To prevent this, follow the cleaning steps below:

1. Always turn OFF the appliance and disconnect from the power supply before cleaning.
2. Allow the appliance to cool before cleaning.
3. If there is an accumulation of burned fat or food, the cooking surface should be thoroughly scoured and re-seasoned.

**Warning: It is vital that the cooking surface is re-seasoned after scouring. Do not use steel wool as it may leave shards that could Contaminate food.**

4. Use warm, soapy water and a damp cloth to clean the exterior of the appliance.
5. Dry thoroughly after cleaning.

### Clean the waste tray

- This appliance features a waste tray to collect any liquid or fats that run off during cooking.
- At least once a day, remove and empty the waste tray before washing with warm, soapy water.
- Do not allow the tray to overflow, or excess grease will run out of the overflow hole at the front of the tray.

**Warning: Do not remove the waste tray during or immediately after use as the contents will be hot.**

## Technical Specifications

Note: Due to our continuing program of research and development, the specifications herein may be subject to change without notice.

Model	Voltage	Power (Max.)	Temperature Range	Cooking Surface Dimensions (mm)	Product Dimensions h x w x d (mm)	Net Weight
CU473/CU474	230V 1N~, 50-60Hz	3kW	50°C - 300°C	396 x 410	240 x 400 x 600	24.1kg
HT753/HT754		2.9KW				
CU475	400V 3N~, 50-60Hz	4.5kW	50°C - 300°C	596 x 410	240 x 600 x 600	35.1kg
HT755						

Model	Plug type
CU473/CU474/CU475/CU475-E/HT755	N.A.
CU473-E/CU474-E	CEE 7/7
HT753/HT754	BS1363

## Troubleshooting

A qualified technician must carry out repairs if required.

Fault	Probable Cause	Solution	
The unit is not working	The unit is not switched on	Check the residual current relay and the overcurrent fuse in the power supply line and switch on	Check the unit is plugged in correctly and switched on (For CU473-E/CU474-E and HT753/HT754 only)
	Plug or lead is damaged	Replace Plug or lead	
	Mains power supply fault	Check mains power supply	
Appliance does not reach set temperature, or slow to heat up	Faulty thermostat	Consult a qualified technician	
	Faulty heating element	Consult a qualified technician	
	Build-up of fat on cooking surface	Clean the appliance	
Appliance heats up but indicator light does not come on	Faulty indicator light	Consult a qualified technician	
Heating indicator light comes on but appliance does not heat up	Faulty thermostat	Consult a qualified technician	
	Faulty heating element	Consult a qualified technician	
	Thermostat set incorrectly	Check thermostat	
No power	Thermal cut-out activated	Wait until the unit cools down. Please check your machine is safe with no obvious damage and then press the re-set switch	
Unit overheats or starts to smoke	Thermostat damaged	Switch Off immediately. Consult a qualified technician	

## Compliance

The WEEE logo on this product or its documentation indicates that the product must not be disposed of as household waste. To help prevent possible harm to human health and/or the environment, the product must be disposed of in an approved and environmentally safe recycling process. For further information on how to dispose of this product correctly, contact the product supplier, or the local authority responsible for waste disposal in your area.



Buffalo parts have undergone strict product testing in order to comply with regulatory standards and specifications set by international, independent, and federal authorities.

Buffalo products have been approved to carry the following symbol:



**All rights reserved. No part of these instructions may be produced or transmitted in any form or by any means, electronic, mechanical, photocopying, recording or otherwise, without the prior written permission of Buffalo. Every effort is made to ensure all details are correct at the time of going to press, however, Buffalo reserves the right to change specifications without notice.**



## Veiligheidsinstructies

### **GEVAAR DOOR HOOGSPANNING!**

#### **Elektrische vereisten:**

**Schakel het apparaat altijd uit en haal de stekker uit het stopcontact voordat u het apparaat installeert, wanneer niet in gebruik en vóór reiniging en onderhoud/reparatie.**

**Dit apparaat mag alleen door een gekwalificeerde elektricien op het elektriciteitsnet worden aangesloten. Bekabel het apparaat aan een geschikte stroomvoorziening met de juiste spanning en voldoende stroomcapaciteit. Raadpleeg het typeplaatje op het apparaat voor de vereisten wat betreft spanning en wattage.**

**Sluit het apparaat aan op een circuit dat wordt beveiligd door een geschikte aardlekschakelaar (RCD).**

**Bevestig in geen enkel geval een stekker aan de kabel (alleen voor bedrade apparaten).**

**Het niet naleven van deze veiligheidsinstructies zal Buffalo ontheffen van elke verantwoordelijkheid en de garantie wordt ongeldig.**

- Plaats het product op een vlakke en stabiele ondergrond.
- De installatie en eventuele reparaties dienen door een servicetechnicus/vaktechnicus te worden uitgevoerd. Verwijder geen enkel onderdeel op dit product.
- Raadpleeg de lokale en nationale normen om te voldoen aan het volgende:
  - Wetgeving van gezondheid en veiligheid op de werkplaats
  - BS EN-praktijkcodes
  - Brandpreventie
  - IEE bekabelingsnormen
  - Bouwverordeningen

- **Sommige oppervlakken worden heet tijdens gebruik. Wees voorzichtig wanneer u het apparaat gebruikt.**
- **Het apparaat is tijdens en ook na het koken nog heet. Raak de oppervlakte nooit aan om brandwonden te voorkomen.**
- Dompel het apparaat NIET onder in water.
- Maak het NIET schoon met hogedrukreinigers.
- NIET dragen wanneer het warm is.
- Laat het apparaat tijdens gebruik NIET onbeheerd achter.
- Zorg dat u het apparaat NIET hindert of afdekt tijdens het gebruik.
- Niet geschikt voor gebruik buitenshuis.
- Schakel het apparaat altijd uit en trek de stekker uit het stopcontact wanneer niet in gebruik.
- Dit apparaat moet uitsluitend worden gebruikt in overeenstemming met deze instructies en door daartoe bevoegde personen.
- Laat verpakkingsmateriaal niet binnen handbereik van kinderen. Dank verpakkingsmateriaal af in overeenstemming met de regelgeving van de plaatselijke autoriteiten.
- Indien de stroomkabel beschadigd is geraakt, dient men deze door een Buffalo-technicus of een aanbevolen vaktechnicus te laten vervangen om gevaarlijke situaties te vermijden.
- Dit apparaat is niet bedoeld voor gebruik door personen met lichamelijke, zintuiglijke of mentale beperkingen (inclusief kinderen) of met gebrek aan ervaring of kennis tenzij zij hierin worden begeleid of zijn opgeleid in het gebruik van het apparaat door een persoon, die verantwoordelijk is voor hun veiligheid.
- Houd kinderen onder toezicht zodat zij het apparaat niet als speelgoed gebruiken.
- Buffalo beveelt aan dat dit apparaat periodiek (minstens jaarlijks) door een bevoegd persoon wordt getest. Testen moeten omvatten, maar zijn niet beperkt tot: Visuele inspectie, polariteitstest, continuïteit van aarding, continuïteit van isolatie en functionele test.



## Inleiding

Neem de tijd en lees deze handleiding aandachtig door. Een correct gebruik en onderhoud van deze machine waarborgt de beste prestaties voor uw Buffalo-product.

### Buffalo kan niet aansprakelijk worden gesteld voor productstoringen in het geval dat:

- De instructies in deze handleiding niet juist zijn opgevolgd.
- Ongekwalificeerd of onbevoegd personeel het apparaat heeft aangepast.
- Niet-originele reserveonderdelen zijn gebruikt.
- Het apparaat onjuist is gehanteerd en gereinigd.
- Het apparaat is gebruikt voor een doeleinde waarvoor deze niet was bestemd.
- Het apparaat wordt gebruikt door personeel dat niet is opgeleid of onbekend is met hoe het apparaat moet worden gebruikt.

## Verpakkingsinhoud

Het volgende is inbegrepen:

- Buffalo-bakplaat
- Gebruikshandleiding

BUFFALO is trots op kwaliteit en service en zorgt ervoor dat op het moment van uitpakken de inhoud volledig functioneel en vrij van schade wordt geleverd.

Mocht uw product tijdens transport zijn beschadigd, neem dan onmiddellijk contact op met uw BUFFALO-dealer.

## Installatie



**Waarschuwing: Onjuiste installatie, bediening, onderhoud of reiniging van de apparatuur, evenals modificaties, kunnen leiden tot schade aan eigendommen en persoonlijk letsel. Lees en begrijp alle instructies volledig voorafgaand aan de installatie.**

**Vóór installatie en gebruik is het de verantwoordelijkheid van de gebruiker om ervoor te zorgen dat aan alle gezondheids- en veiligheidsvoorschriften wordt voldaan met betrekking tot veilige plaatsing, afstand, ventilatie, elektrische installatie en brandrisico.**

- Haal het apparaat uit de verpakking en zorg ervoor de oppervlakken grondig schoon te maken en alle beschermende verpakking, plastic en resten zijn verwijderd.
- Plaats het apparaat op een hittebestendig oppervlak. Plaats het niet op of in de buurt van ontvlambare materialen. Behoud een afstand van 20 cm (7 inch) tussen het apparaat en wanden of andere voorwerpen voor voldoende ventilatie.
- Houd het apparaat uit de buurt van spetterend water en de rand van het aanrecht.

### Elektrische bedrading (alleen voor CU473-E/CU474-E)

Men dient de stekker op een geschikt stopcontact aan te sluiten.

De bedrading van dit apparaat is als volgt:

- Stroomkabel (bruin) naar de aansluitklem gemarkeerd met L
- Neutraalkabel (blauw) naar de aansluitklem gemarkeerd met N
- Aardekabel (groen/geel) naar de aansluitklem gemarkeerd met E

Dit apparaat moet worden geaard.

Bij twijfels raadpleeg een vakkundige elektricien.

De elektrische isolatiepunten mogen niet worden geblokkeerd. In geval van een nooduitschakeling moeten de isolatiepunten direct toegankelijk zijn.



## Elektrische bedrading (Alleen voor CU475-E)



### GEVAAR door elektrische schokken wegens onjuiste aansluiting

Er bestaat levensgevaar als de draden verkeerd worden aangesloten.

**Aansluiting op een geschikte stroomvoorziening mag alleen worden uitgevoerd door een gekwalificeerde en competente elektrotechnicus.**

**Waarschuwing: De vaste bedrading van de voedingskabelaansluiting moet volgens de bedravingsrichtlijnen zijn voorzien van een ontkoppelingsinrichting (aardlekschakelaar) met een contactafstand van groter dan 30 mm.**

Sluit het apparaat aan in overeenstemming met de geldende voorschriften van uw land, deelstaat, woonplaats of gemeente.

Sluit het apparaat aan op een standaard elektriciteitsnet.

Pas voor een goede elektrische aansluiting het vermogen aan de plaatselijke omstandigheden en vereisten aan.



Een potentiaalvereffeningsklem in elektrische apparaten is bedoeld om blootgestelde metalen en geleidende delen van elektrische apparaten en andere eenheden in elektrische apparaten te verbinden met kunstmatige of natuurlijke aardgeleiders om potentiaalverschillen te verminderen (het risico op elektrische schokken verminderen en voorkomen).

- Dit apparaat wordt losgekoppeld geleverd en moet worden aangesloten op een geschikte stroomvoorziening. CU475 vereist een 4,5kW 400V driefasig circuit bij 50-60Hz
- Sluit de draden aan volgens hun kleurcodering. De bedrading van dit apparaat is als volgt:

Draadkleur	Draadfunctie	Naar voedingsklemmen
Geel/groen	Aardendraad, beschermende geleider	Klem met markering E
Blauw	Neutrale draad, neutrale geleider	Klem met markering N
Bruin, grijs en zwart	Live draden, fase L1, L2, L3	Klem met markering L1, L2, L3

- Het apparaat moet worden geaard. Bij twijfels raadpleeg een vakkundige elektricien.
- De elektrische isolatiepunten mogen niet worden geblokkeerd. In geval van een nooduitschakeling moeten de isolatiepunten direct toegankelijk zijn.

## Montage

Dit apparaat is voorzien van verstelbare pootjes, zodat deze veilig en waterpas kan worden geplaatst. Dit dient te worden gedaan na het voltooiën van de elektrische aansluiting. Zie paragraaf 'Elektrische bedrading' hierboven. Er is geen verdere installatie nodig.

**Opmerking: Maak alle onderdelen vóór het eerste gebruik goed schoon. Laat alles volledig drogen.**

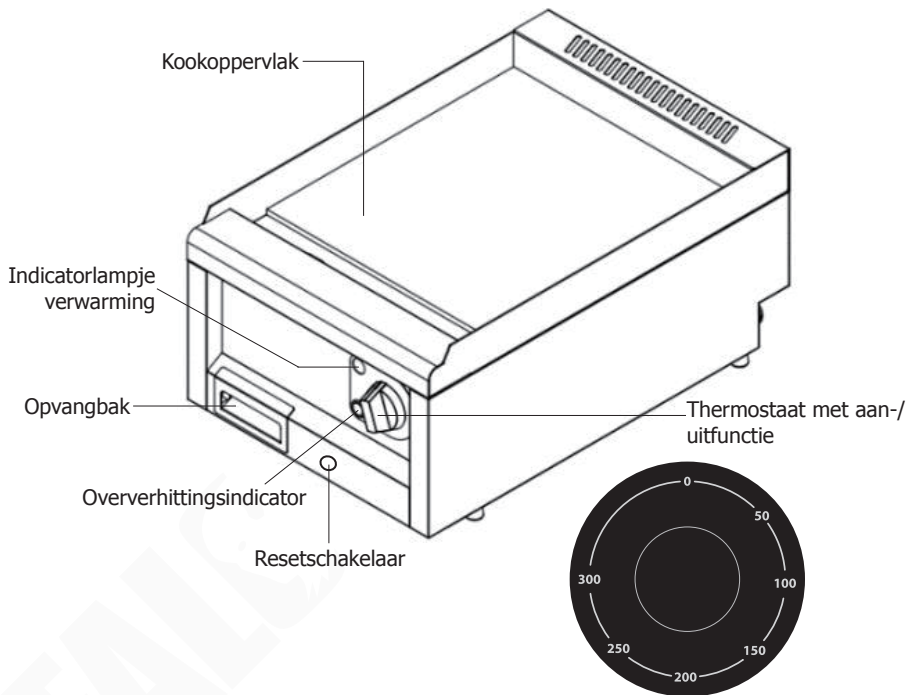
## Vóór het eerste gebruik

Vóór het eerste gebruik moet het kookoppervlak worden geseasoned.

1. Zorg ervoor dat de kookoppervlakken schoon zijn en smeer de oppervlakken vervolgens in met bakolie.
2. Schakel het apparaat in via de netvoeding en stel de thermostaat in op 110°C. De verwarmingsindicator zal oplichten.
3. Wanneer de ingestelde temperatuur is bereikt, schakelt de verwarmingsindicator uit.
4. Schakel het apparaat uit en laat deze afkoelen voordat u overtollige olie wegveegt.
5. Het apparaat is nu klaar voor gebruik.

## Gebruik

## Afgebeeld (model: CU473-E)



## Koken

**Opmerking: BUFFALO raadt aan om het kookoppervlak vóór het koken lichtjes in te oliën.**

- Schakel het apparaat in via de netvoeding.
- Stel de thermostaat in op de gewenste temperatuur (50°C-300°C). De verwarmingsindicator zal oplichten en het apparaat begint op te warmen.
  - Opmerking: De thermostaat instellen op een hogere stand dan nodig zal de opwarmtijd niet verkorten.**
- Wanneer de ingestelde temperatuur is bereikt, schakelt de verwarmingsindicator uit.
  - Opmerking: Tijdens gebruik gaat de verwarmingsindicator aan/uit om aan te geven dat de ingestelde temperatuur wordt gehandhaafd.**
- Plaats het voedsel op het kookoppervlak en kook naar wens.
- Stel de thermostaat na gebruik in op "0" (UIT-stand) en koppel het apparaat los van de stroomvoorziening.

**Waarschuwing: Het voedsel en de kookoppervlakken zijn erg heet. Wees voorzichtig en loop geen brandwonden op!**

## De thermische onderbreking resetten

Het apparaat is voorzien van een thermische veiligheidsschakelaar. Het apparaat onderbreekt automatisch de voeding als de temperatuur de veiligheidslimieten overschrijdt.

De thermische onderbrekingschakelaar zit aan de voorkant van het apparaat. Om het apparaat te resetten nadat deze lang genoeg heeft afgekoeld:

1. Schroef het deksel van de resetschakelaar los.
2. Druk de kleine resetknop omlaag totdat deze klikt met een stomp instrument.
3. Het apparaat is nu gereset en kan normaal worden gebruikt.

## Reiniging, zorg & onderhoud

**Het apparaat dient elke dag na gebruik te worden schoongemaakt; afhankelijk van hoe vaak het apparaat wordt gebruikt, kan het echter nodig zijn om deze vaker te reinigen.**

**Gebruik geen schurende reinigingsmiddelen op het apparaat.**

Als vet zich ophoopt, begint het te verkolen tot een harde substantie die erg moeilijk te verwijderen is. Volg de reinigingsstappen hieronder om dit te voorkomen:

1. Schakel het apparaat altijd UIT en haal de stekker uit het stopcontact voordat u deze schoonmaakt.
2. Laat het apparaat afkoelen alvorens te reinigen.
3. Als er zich verbrand vet of voedselresten ophopen, moet het kookoppervlak grondig worden geschuurd en opnieuw worden geseasoned.

**Waarschuwing: Het is van essentieel belang dat het kookoppervlak na het schuren opnieuw wordt geseasoned. Gebruik geen staalwol, omdat hierdoor schilfers kunnen achterblijven die voedsel kunnen verontreinigen.**

4. Gebruik warm zeepwater en een vochtige doek om de buitenkant van het apparaat schoon te maken.
5. Droog het apparaat grondig na het schoonmaken.

### Maak de opvangbak schoon

- Dit apparaat is voorzien van een opvangbak om eventuele vloeistoffen en vetten op te vangen die tijdens het koken weglopen.
- Verwijder minstens één keer per dag de afvalbak en leeg deze voordat u hem in een warm sopje wast.
- Zorg ervoor dat de bak niet te vol raakt, anders loopt overtollig vet uit het overloopgat aan de voorkant van de bak.

**Waarschuwing: Verwijder de opvangbak niet tijdens of direct na gebruik, omdat de inhoud heet zal zijn.**

## Technische specificaties

Opmerking: Als gevolg van ons voortdurende programma van onderzoek en ontwikkeling, kunnen de specificaties hierin zonder voorafgaande kennisgeving worden gewijzigd.

Model	Spanning	Vermogen (max.)	Temperatuurbereik	Afmetingen van kookoppervlak (mm)	Productafmetingen h x b x d (mm)	Netto gewicht
<b>CU473-E</b> <b>CU474-E</b>	230V 1N~, 50-60Hz	3kW	50 - 300°C	396 x 410	240 x 400 x 600	24,1kg
<b>CU475-E</b>	400V 3N~, 50-60Hz	4,5kW	50 - 300°C	596 x 410	240 x 600 x 600	35,1kg

Model	Type stekker
<b>CU475-E</b>	N.V.T
<b>CU473-E/CU474-E</b>	CEE 7/7

## Probleemoplossing

Indien nodig moet een gekwalificeerde technicus reparaties uitvoeren.

Probleem	Mogelijke oorzaak	Oplossing	
De eenheid werkt niet	Het apparaat staat uit	Controleer de aardlekrelais en overstroomzekering in de voedingsleiding en schakel in (Alleen voor CU475-E)	Controleer of de stroomkabel van het apparaat is aangesloten en of het apparaat is ingeschakeld (Alleen voor CU473-E en CU474-E)
	Stekker of kabel is beschadigd	Vervang de stekker of kabel	
	Storing in de netvoeding	Controleer de netvoeding	
Het apparaat bereikt de ingestelde temperatuur niet of het duurt lang om op te warmen	Thermostaat is defect	Raadpleeg een gekwalificeerde technicus	
	Defect verwarmingselement	Raadpleeg een gekwalificeerde technicus	
	Opgehoopt vet op het kookoppervlak	Reinig het apparaat	
Het apparaat warmt op, maar het indicatorlampje licht niet op	Defect indicatielampje	Raadpleeg een gekwalificeerde technicus	
De verwarmingsindicator schakelt in, maar het apparaat warmt niet op	Thermostaat is defect	Raadpleeg een gekwalificeerde technicus	
	Defect verwarmingselement	Raadpleeg een gekwalificeerde technicus	
	Thermostaat is verkeerd ingesteld	Controleer thermostaat	
Geen voeding	De thermische onderbreking is geactiveerd	Wacht tot het apparaat is afgekoeld. Controleer of uw apparaat veilig is zonder duidelijke schade en druk vervolgens op de resetschakelaar	
Apparaat raakt oververhit of begint te roken	Beschadigde thermostaat	Schakel onmiddellijk uit. Raadpleeg een gekwalificeerde technicus	

## Productconformiteit

Het WEEE-logo op dit product of in de bijbehorende documentatie geeft aan dat het product niet onder huisvuil valt en als zodanig ook niet mag worden verwerkt. Ter preventie van mogelijke gevaren voor de gezondheid van personen en/of voor het milieu, dient men dit product in overeenstemming met het voorgeschreven en milieuveilige recyclingproces als afval te verwerken. Raadpleeg uw productleverancier of uw plaatselijk afvalverwerkingsbedrijf voor meer informatie over de juiste afvalverwerking van dit product.



De onderdelen van Buffalo-producten hebben strenge producttesten ondergaan om te voldoen aan wettelijke regels en specificaties die door internationale, onafhankelijke en landelijke overheden worden voorgeschreven.

Producten van Buffalo zijn goedgekeurd om het volgende symbool te dragen:



**Alle rechten voorbehouden. Het is verboden om deze handleiding, hetzij volledig of gedeeltelijk, elektronisch of mechanisch te reproduceren, kopiëren, op opslagmedia op te slaan of op enigerlei wijze over te dragen, zonder voorafgaande goedkeuring van Buffalo.**

**Wij hebben er alles aan gedaan om er zeker van te zijn dat op publicatiedatum van de handleiding alle details correct zijn, desondanks, behoudt Buffalo het recht voor om specificaties zonder aankondiging te wijzigen.**

## Consignes de sécurité

### DANGER DE HAUTE TENSION !

#### **Exigences électriques :**

**Veillez à toujours éteindre et débrancher l'appareil avant de l'installer, lorsqu'il n'est pas utilisé, avant de le nettoyer et d'en assurer le suivi ou l'entretien.**

**Cet appareil ne doit être branché sur le réseau électrique que par un électricien qualifié. Raccordez l'appareil à une source d'alimentation appropriée, avec une tension correcte et une capacité de puissance suffisante. Reportez-vous à la plaque signalétique de l'appareil pour connaître les exigences en matière de tension et de puissance.**

**Branchez l'appareil sur un circuit protégé par un disjoncteur différentiel approprié.**

**Ne mettez en aucun cas une fiche sur le câble (uniquement pour les appareils câblés).**

**En cas de non-respect de ces consignes de sécurité, Buffalo sera dégagé de toute responsabilité et la garantie sera nulle et non avenue.**

- Placez l'appareil sur une surface plane, stable.
- L'installation et les éventuelles réparations doivent être confiées à un dépanneur/technicien qualifié. Ne retirez aucun élément de ce produit.
- Consultez les normes locales et nationales pour vous conformer à ce qui suit :
  - lois sur l'hygiène et la sécurité au travail
  - codes de bonnes pratiques BS EN
  - précautions contre le risque d'incendie
  - réglementations sur les branchements électriques IEE
  - règlements sur la construction





- **Certaines surfaces deviennent chaudes pendant le fonctionnement de l'appareil. Soyez prudent lors de l'utilisation de l'appareil.**
- **Pendant et après la cuisson, l'appareil est encore chaud. Ne touchez jamais la surface pour éviter de vous brûler.**
- NE plongez PAS l'appareil dans l'eau.
- NE nettoyez PAS avec des nettoyeurs à jet ou à pression.
- Ne transportez PAS l'appareil lorsqu'il est chaud.
- NE laissez PAS l'appareil sans surveillance pendant son fonctionnement.
- N'obstruez ou ne couvrez PAS l'appareil de quelque manière que ce soit lorsqu'il est utilisé.
- Il ne convient pas à une utilisation en extérieur.
- Éteignez et débranchez toujours l'appareil lorsqu'il n'est pas utilisé.
- Cet appareil ne doit être utilisé que conformément à ces instructions et par des personnes compétentes pour le faire.
- Gardez les emballages hors de portée des enfants. Débarrassez-vous des emballages conformément aux réglementations des autorités locales.
- Un cordon d'alimentation endommagé doit être remplacé par un agent Buffalo ou un technicien qualifié recommandé, pour éviter tout danger.
- Cet appareil n'a pas été conçu pour être utilisé par des personnes (enfants inclus) à capacités physiques, sensorielles ou mentales réduites ou ne disposant pas d'une expérience ou de connaissances suffisantes, à moins que lesdites personnes n'aient été formées ou instruites quant à son utilisation, par une personne responsable de leur sécurité.
- Les enfants doivent être surveillés pour s'assurer qu'ils ne jouent pas avec l'appareil.
- Buffalo recommande de faire tester régulièrement cet appareil (une fois par an au minimum) par une personne compétente. Les tests doivent inclure, sans s'y limiter, les éléments suivants : inspection visuelle, test de polarité, continuité de la terre, continuité de l'isolation et test fonctionnel.

## Introduction

Nous vous invitons à consacrer quelques instants à lire attentivement de ce mode d'emploi. L'entretien et l'utilisation appropriés de cette machine vous permettront de tirer le meilleur de votre produit Buffalo.

### **Buffalo décline toute responsabilité en cas de défaillance du produit dans la mesure où :**

- Les instructions de ce manuel n'ont pas été bien respectées.
- Du personnel inexpérimenté ou non autorisé a réglé la friteuse.
- Des pièces de rechange non originales sont utilisées.
- L'appareil n'a pas été manipulé et nettoyé correctement.
- L'appareil a été utilisé à des fins non prévues.
- L'appareil est utilisé par du personnel inexpérimenté ou non familiarisé avec l'utilisation de l'appareil.

## Contenu de l'emballage

Les éléments suivants sont inclus :

- Planche à griller Buffalo
- Mode d'emploi

BUFFALO attache une grande importance à la qualité et au service et veille à fournir des produits en parfait état opérationnel, parfaitement intacts au moment de l'emballage.

Nous vous prions de contacter votre revendeur BUFFALO immédiatement si vous constatez un dommage quelconque survenu pendant le transport du produit.

## Installation



**Avertissement : L'installation, l'utilisation, l'entretien ou le nettoyage incorrects de l'appareil, ainsi que toute modification, peuvent entraîner des dommages matériels et corporels. Lisez attentivement et assurez-vous d'avoir bien compris toutes les instructions avant d'installer l'appareil.**

**Avant l'installation et l'utilisation de l'appareil, il incombe à l'utilisateur de s'assurer que toutes les règles de santé et de sécurité relatives au positionnement, à l'espacement, à la ventilation, à l'installation électrique et au risque d'incendie sont respectées.**

- Retirez l'appareil de son emballage, en veillant à ce que tous les emballages de protection, le plastique et les résidus soient soigneusement nettoyés de ses surfaces.
- Placez l'appareil sur une surface résistante à la chaleur. Évitez de le placer sur des matériaux inflammables ou à leur proximité. Maintenez une distance de 20 cm entre l'appareil et les murs ou autres objets pour assurer la ventilation.
- Tenez l'appareil éloigné des éclaboussures d'eau et du bord du comptoir.

### **Raccordement électrique (Pour CU473-E et CU474-E uniquement)**

La fiche doit être branchée à la prise secteur qui convient.

Cet appareil est câblé comme suit :

- Fil conducteur (brun) à la borne marquée L
- Fil neutre (bleu) à la borne marquée N
- Fil de terre (vert/jaune) à la borne marquée E



Cet appareil doit être mis à la terre.

En cas de doute, consultez un électricien qualifié.

Les points d'isolation électrique doivent être libres de toute obstruction. En cas de débranchement requis en urgence, ils doivent être facilement accessibles.

## Raccordement électrique (Pour CU475-E uniquement)



### RISQUE d'électrocution en cas de mauvais branchement

**Un mauvais branchement des fils peut entraîner un danger de mort.**

**Le branchement à une alimentation électrique appropriée ne doit être effectué que par un ingénieur électricien qualifié et compétent.**

**Avertissement : Le câblage fixe du branchement du cordon d'alimentation doit être équipé d'un dispositif de débranchement (interrupteur de protection contre les fuites) dont la distance de contact est supérieure à 30 mm, conformément aux règles de câblage.**

Branchez l'appareil conformément aux réglementations en vigueur dans votre pays, État fédéral, ville ou autorité locale.

Branchez l'appareil sur un réseau d'alimentation électrique standard.

Pour un branchement électrique correct, adaptez les puissances nominales aux conditions et exigences locales.



La borne de connexion équipotentielle des appareils électriques sert à relier les parties métalliques et conductrices exposées des appareils électriques et d'autres dispositifs des appareils électriques à des conducteurs de terre artificiels ou naturels afin de réduire les différences de potentiel (réduire et prévenir le risque d'électrocution).

- Cet appareil est livré non branché et doit être raccordé à une source d'alimentation électrique appropriée. Le modèle CU475-E nécessite un circuit triphasé de 4,5 kW 400 V pour une fréquence de 50-60Hz.
- Branchez les fils correctement en respectant leur code couleur. Cet appareil est câblé comme suit :

Couleur des fils	Fonction du fil	Vers les bornes de l'alimentation électrique
Jaune/vert	Fil de terre, conducteur de protection	Borne marquée E
Bleu	Fil neutre, conducteur neutre	Borne marquée N
Marron, gris et noir	Fils sous tension, phase L1, L2, L3	Borne marquée L1, L2, L3

- L'appareil doit être en contact avec la terre. En cas de doute, consultez un électricien qualifié.
- Les points d'isolation électrique doivent être libres de toute obstruction. En cas de débranchement requis en urgence, ils doivent être facilement accessibles.

## Assemblage

Cet appareil est équipé de pieds réglables qui permettent de le positionner en toute sécurité et de le mettre à niveau. Ce réglage doit être effectué une fois le raccordement électrique terminé. Reportez-vous à la section « Raccordement électrique » ci-dessus. Aucun autre montage n'est nécessaire.

**Remarque : Avant d'utiliser l'appareil pour la première fois, nettoyez soigneusement toutes les pièces. Laissez-le sécher complètement.**

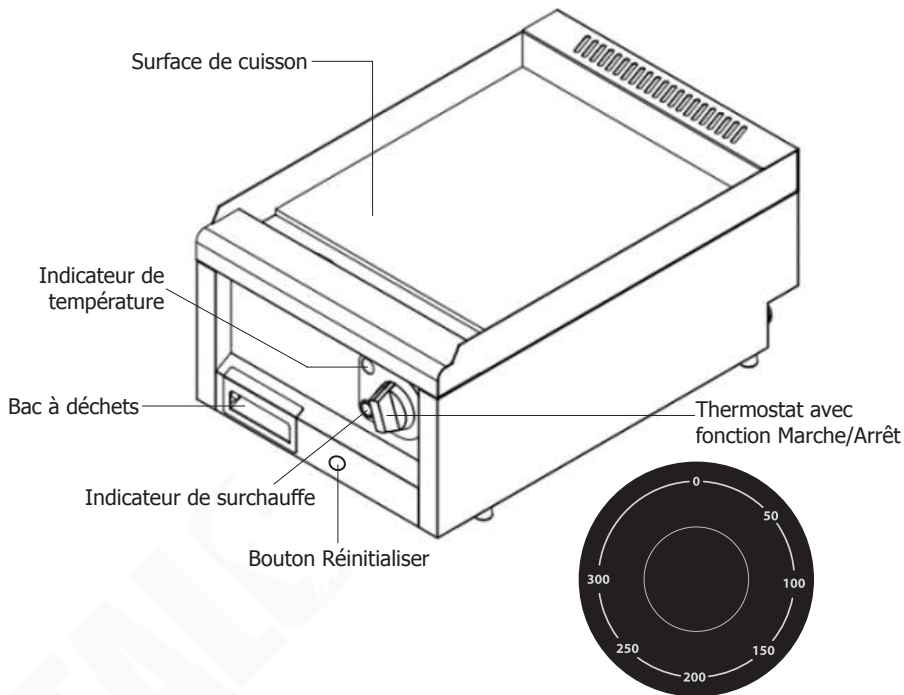
## Avant la première utilisation

Avant d'utiliser l'appareil pour la première fois, la surface de cuisson doit être assaisonnée.

1. Assurez-vous que les surfaces de cuisson sont propres, puis badigeonnez-les d'huile de cuisson.
2. Branchez l'appareil sur l'alimentation électrique et réglez le thermostat sur 110 °C. L'indicateur de chauffage s'allume.
3. Lorsque la température réglée est atteinte, l'indicateur lumineux de chauffage s'éteint.
4. Éteignez l'appareil et laissez-le refroidir avant d'essuyer tout excès d'huile.
5. L'appareil est maintenant prêt à l'emploi.

## Fonctionnement

(Modèle illustré : CU473-E)



## Cuisson

**Remarque : BUFFALO recommande d'huiler légèrement la surface de cuisson avant la cuisson.**

1. Branchez l'appareil sur l'alimentation électrique.
2. Réglez le thermostat à la température souhaitée (entre 50 °C et 300 °C). L'indicateur de chauffage s'allume et l'appareil commence à chauffer.
  - **Remarque : Régler le thermostat sur une valeur plus élevée que nécessaire ne réduit pas le temps de chauffe.**
3. Lorsque la température réglée est atteinte, l'indicateur lumineux de chauffage s'éteint.
  - **Remarque : Pendant l'utilisation, l'indicateur de chauffage s'allume et s'éteint, ce qui indique que la température réglée est maintenue.**
4. Placez les aliments sur la surface de cuisson et faites-les cuire en fonction des besoins.
5. Après utilisation, réglez le thermostat sur « 0 » (position ARRÊT) et débranchez l'appareil de l'alimentation électrique.

**Avertissement : Les aliments et les surfaces de cuisson sont très chauds. Faites attention à ne pas vous brûler !**

## Réinitialisation du coupe-circuit thermique

L'appareil est équipé d'un interrupteur de sécurité à coupure thermique. Si la température dépasse les niveaux de sécurité, l'appareil coupe automatiquement le courant.

L'interrupteur de coupe-circuit thermique est situé à l'avant de l'appareil. Pour réinitialiser l'appareil après une période de refroidissement suffisante :

1. Dévissez le couvercle de l'interrupteur de réinitialisation.
2. Appuyez sur le petit interrupteur de réinitialisation jusqu'à ce qu'il s'enclenche à l'aide d'un instrument à pointe émoussée.
3. L'appareil est maintenant réinitialisé et peut être utilisé normalement.

## Nettoyage, entretien et maintenance

**L'appareil doit être nettoyé après chaque journée d'utilisation, mais il peut être nécessaire de le nettoyer plus souvent, en fonction de la fréquence des grillades.**

**N'utilisez pas de produits de nettoyage abrasifs sur l'appareil.**

Si vous laissez la graisse s'accumuler, elle commencera à se carboniser en une substance dure qui sera extrêmement difficile à enlever. Pour éviter cela, suivez les étapes de nettoyage ci-dessous :

1. ÉTEIGNEZ toujours l'appareil et débranchez-le de l'alimentation électrique avant de le nettoyer.
2. Laissez l'appareil refroidir avant de le nettoyer.
3. En cas d'accumulation de graisse ou d'aliments brûlés, la surface de cuisson doit être soigneusement nettoyée et réassaisonnée.

**Avertissement : Il est essentiel que la surface de cuisson soit réassaisonnée après le récurage. N'utilisez pas de paille de fer, car elle pourrait laisser des éclats susceptibles de contaminer les aliments.**

4. Utilisez de l'eau chaude et savonneuse et un chiffon humide pour nettoyer l'extérieur de l'appareil.
5. Séchez soigneusement après le nettoyage.

### Nettoyer le bac à déchets

- Cet appareil est équipé d'un bac à déchets qui permet de recueillir les liquides et les graisses qui s'écoulent pendant la cuisson.
- Au moins une fois par jour, retirez et videz le bac à déchets avant de le laver à l'eau chaude savonneuse.
- Ne laissez pas le plateau se remplir excessivement, sinon l'excès de graisse s'écoulera par le trop-plein situé à l'avant du plateau.

**Avertissement : Ne retirez pas le bac à déchets pendant ou immédiatement après l'utilisation, car son contenu est chaud.**

## Spécifications techniques

Remarque : en raison de notre programme continu de recherche et de développement, les spécifications du présent document peuvent être modifiées sans préavis.

Modèle	Tension	Puissance (max.)	Plage de température	Dimensions de la surface de cuisson	Dimensions du produit h x l x p ( mm )	Poids net
<b>CU473-E</b> <b>CU474-E</b>	230 V 1 N~, 50 - 60 Hz	3 kW	50 °C à 300 °C	396 x 410 mm	240 x 400 x 600	24,1 kg
<b>CU475-E</b>	400 V 3N~, 50 - 60 Hz	4,5 kW	50 °C à 300 °C	596 x 410 mm	240 x 600 x 600	35,1 kg

Modèle	Type de fiche
<b>CE475-E</b>	N.A.
<b>CU473-E/ CU474-E</b>	CEE 7/7

## Dépannage

Un technicien qualifié doit effectuer les réparations si nécessaire.

Dysfonctionnement	Cause probable	Intervention	
L'appareil ne fonctionne pas	Le congélateur n'est pas allumé	Vérifier le relais de courant résiduel et le fusible de surintensité dans la ligne d'alimentation et allumer l'appareil (Pour CU475-E uniquement)	Vérifier que l'appareil est bien branché et allumé (Pour CU473-E et CU474-E uniquement)
	La fiche ou le câble est endommagé	Remplacez la fiche ou le câble	
	Dysfonctionnement de l'alimentation secteur	Vérifier l'alimentation secteur	
L'appareil n'atteint pas la température programmée ou tarde à chauffer	Thermostat défectueux	Consultez un technicien qualifié	
	Élément de chauffage défectueux	Consultez un technicien qualifié	
	Accumulation de graisse sur la surface de cuisson	Nettoyez l'appareil	
L'appareil chauffe, mais le voyant ne s'allume pas	Témoin lumineux défectueux	Consultez un technicien qualifié	
L'indicateur de chauffage s'allume mais l'appareil ne chauffe pas.	Thermostat défectueux	Consultez un technicien qualifié	
	Élément de chauffage défectueux	Consultez un technicien qualifié	
	Thermostat mal réglé	Vérifier le thermostat	
Aucune alimentation	Coupe-circuit thermique activé	Attendez que l'appareil refroidisse. Attendez que l'appareil refroidisse. Veuillez vérifier que votre machine est en bon état et qu'elle n'a pas subi de dommages évidents, puis appuyez sur le bouton de réinitialisation	
L'appareil surchauffe ou commence à fumer	Thermostat endommagé	Éteignez immédiatement. Consultez un technicien qualifié	

## Conformité

Le logo DEEE qui figure sur ce produit ou sa documentation indique qu'il ne doit pas être mis au rebut avec les ordures ménagères. Pour éviter qu'il ne présente un risque pour la santé humaine et/ou l'environnement, confiez la mise au rebut de ce produit à un site de recyclage agréé respectueux de l'environnement. Pour de plus amples détails sur la mise au rebut appropriée de ce produit, contactez le fournisseur du produit ou l'autorité responsable de l'enlèvement des ordures dans votre région.

Les pièces Buffalo ont été soumises à des tests rigoureux pour pouvoir être déclarées conformes aux normes et spécifications réglementaires définies par les autorités internationales, indépendantes et fédérales.

Les produits Buffalo ont été déclarés aptes à porter le symbole suivant :



Tous droits réservés. La production ou transmission, partielle ou intégrale, sous quelque forme que ce soit ou par n'importe quel moyen, tant électronique que mécanique, sous forme de photocopie, d'enregistrement ou autre de ce mode d'emploi sont interdites sans l'autorisation préalablement accordée par Buffalo.

Nous nous efforçons, par tous les moyens dont nous disposons, de faire en sorte que les détails contenus dans le présent mode d'emploi soient corrects en date d'impression. Toutefois, Buffalo se réserve le droit de changer les spécifications de ses produits sans préavis.

## Sicherheitshinweise

### **GEFAHR HOHER SPANNUNG!**

#### **Elektrische Anforderungen:**


**Schalten Sie das Gerät vor der Installation, bei längerer Nichtbenutzung, vor der Reinigung und vor der Wartung/Reparatur immer aus und trennen Sie die Stromversorgung.**

**Dieses Gerät sollte ausschließlich von einem qualifizierten Elektriker an die Stromversorgung angeschlossen werden. Verdrahten Sie das Gerät in einer geeigneten Stromversorgung mit der richtigen Spannung und ausreichender Leistung. Beachten Sie bezüglich der Spannungs- und Wattanforderungen die Angaben am Typenschild.**

**Schließen Sie das Gerät an einen Stromkreis an, der durch einen geeigneten FI-Schalter abgesichert ist. Bringen Sie unter keinen Umständen einen Stecker am Kabel an (nur für festverdrahtete Geräte).**

**Das Nichtbeachten dieser Sicherheitshinweise entbindet Buffalo von jeglicher Verantwortung und die Garantie wird ungültig.**

- Auf eine flache, stabile Fläche stellen.
- Alle erforderlichen Montage- und Reparaturarbeiten sollten von Wartungspersonal oder einem qualifizierten Techniker durchgeführt werden. Entfernen Sie keine Komponenten von diesem Gerät.
- Für folgende Normen und Vorschriften sind die lokalen und nationalen Normen heranzuziehen:
  - Arbeitsschutzvorschriften
  - BS EN Verhaltenspraktiken
  - Brandschutzvorschriften
  - IEE-Anschlussvorschriften
  - Bauvorschriften

- **Einige Oberflächen werden während des Betriebs heiß. Seien Sie beim Verwenden des Geräts vorsichtig.**
  - **Während und nach dem Garen bleibt das Gerät heiß. Berühren Sie niemals die Oberfläche, andernfalls drohen Verbrennungen.**
- 
- Gerät NICHT in Wasser eintauchen.
  - NICHT mit Wasserstrahl/Hochdruckreiniger reinigen.
  - NICHT im heißen Zustand tragen.
  - Gerät während des Betriebs NICHT unbeaufsichtigt lassen.
  - Das Gerät darf während des Betriebs NICHT verdeckt oder behindert werden.
  - Nicht geeignet zur Verwendung im Außenbereich.
  - Schalten Sie das Gerät bei längerer Nichtbenutzung immer aus und trennen Sie die Stromversorgung.
  - Dieses Gerät darf nur in Übereinstimmung mit dieser Anleitung und ausschließlich von sachkundigen Personen benutzt werden.
  - Halten Sie alle Verpackungsteile von Kindern fern. Entsorgen Sie die Verpackung gemäß den Vorschriften der örtlichen Behörden.
  - Aus Sicherheitsgründen muss ein beschädigtes Stromkabel von einem Buffalo-Mitarbeiter oder empfohlenen qualifizierten Elektriker erneuert werden.
  - Dieses Gerät sollte nur dann von Personen (einschließlich Kindern) mit reduzierten körperlichen, sensorischen oder geistigen Fähigkeiten, mangelnder Erfahrung oder Kenntnissen verwendet werden, wenn sie von einer für ihre Sicherheit verantwortlichen Person im Gebrauch des Geräts geschult wurden bzw. ständig beaufsichtigt werden.
  - Kinder müssen beaufsichtigt werden, um sicherzustellen, dass sie nicht mit dem Gerät spielen.
  - Buffalo empfiehlt, dass dieses Gerät regelmäßig (wenigstens jährlich) von einem Fachmann überprüft wird. Die Prüfung sollte unter anderem Folgendes beinhalten: Visuelle Inspektion, Polaritätstest, Erddurchgängigkeit, Isolierdurchgängigkeit und Funktionsprüfung.



## Einführung

Bitte nehmen Sie sich einige Augenblicke Zeit und lesen Sie dieses Handbuch sorgfältig durch. Eine korrekte Wartung und Bedienung dieses Geräts gewährleistet die bestmögliche Leistung Ihres Buffalo-Produkts.

### Buffalo übernimmt keine Haftung für Produktfehler in folgenden Fällen:

- Die Anweisungen in dieser Anleitung wurden nicht korrekt befolgt.
- Unqualifiziertes oder nicht zugelassenes Personal hat das Gerät eingestellt.
- Es werden keine originalen Ersatzteile verwendet.
- Das Gerät wurde nicht korrekt gehandhabt und gereinigt.
- Das Gerät wurde für einen anderen als den vorgesehenen Zweck verwendet.
- Das Gerät wird von nicht geschulten oder von Personen benutzt, die mit der Bedienung des Geräts nicht vertraut sind.

## Lieferumfang

Folgendes ist im Lieferumfang enthalten:

- Buffalo Elektrische Grillplatte
- Bedienungsanleitung

BUFFALO ist stolz auf die hochwertige Qualität seiner Produkte und seinen erstklassigen Service. Wir stellen sicher, dass alle gelieferten Produkte zum Zeitpunkt der Verpackung voll funktionsfähig sind und sich in einwandfreiem Zustand befinden.

Sollten Sie Transportschäden feststellen, wenden Sie sich bitte unverzüglich an Ihren BUFFALO-Händler.

## Montage



**Warnung: Unsachgemäße Installation, Benutzung, Wartung oder Reinigung des Gerätes sowie Modifikationen können Sachschäden und Verletzungen verursachen. Vor der Installation müssen alle Anweisungen vollständig gelesen und verstanden werden.**

**Vor der Installation und dem Betrieb des Geräts muss der Benutzer sicherstellen, dass alle Gesundheits- und Sicherheitsvorschriften in Bezug auf die sichere Positionierung, den Abstand, die Belüftung, die elektrische Installation und das Brandrisiko eingehalten werden.**

- Nehmen Sie das Gerät aus der Verpackung und stellen Sie sicher, dass alle Schutzverpackungen, Kunststoffe und Rückstände gründlich von den Oberflächen des Geräts entfernt wurden.
- Stellen Sie das Gerät auf eine hitzebeständige Oberfläche. Stellen Sie das Gerät nicht auf oder in die Nähe von brennbaren Materialien. Halten Sie einen Abstand von 20 cm zwischen dem Gerät und Wänden oder anderen Gegenständen ein, um die Belüftung zu gewährleisten.
- Halten Sie das Gerät von Spritzwasser fern. Stellen Sie es nicht am Rand einer Arbeitsplatte auf.

### Elektroanschlüsse (Nur für CU473-E und CU474-E)

Der Stecker muss in eine geeignete Steckdose gesteckt werden.

Das Gerät ist wie folgt verdrahtet:

- Stromführender Leiter (braun) an Klemme L
- Neutraleiter (blau) an Klemme N
- Erdleiter (grün/gelb) an Klemme E



Dieses Gerät muss geerdet sein.

Bei Fragen wenden Sie sich bitte an einen qualifizierten Elektriker.

Elektroisolierpunkte dürfen nicht blockiert werden. Bei einem Notstopp müssen diese Punkte jederzeit sofort zugänglich sein.

## Elektroanschlüsse (Nur für CU475-E)



### GEFAHR eines Stromschlags bei fehlerhaftem Anschluss

**Es besteht Lebensgefahr, wenn die Kabel falsch angeschlossen werden.**

**Der Anschluss an eine geeignete Stromversorgung sollte von einem qualifizierten und sachkundigen Elektriker durchgeführt werden.**

**Warnung: Die Festverdrahtung des Netzkabels muss entsprechend den Verdrahtungsregeln über eine Trennvorrichtung (Fehlerstromschalter ) mit einem Kontaktabstand von mehr als 30 mm verfügen.**

Schließen Sie das Gerät entsprechend den geltenden Richtlinien Ihrer lokalen Behörden an.

Verbinden Sie das Gerät mit einem herkömmlichen Stromnetz.

Passen Sie für einen geeigneten Elektroanschluss die Leistungsangaben an die lokalen Bedingungen und Anforderungen an.



Eine Potentialausgleichsklemme in elektrischen Geräten soll freiliegendes Metall und leitfähige Teile elektrischer Geräte sowie anderer Geräte in elektrischen Geräten mit künstlichen oder natürlichen Erdleitern verbinden, um Spannungsunterschiede zu reduzieren (Stromschlaggefahr reduzieren oder verhindern).

- Dieses Gerät wird ohne Stecker geliefert und erfordert eine Festverdrahtung mit einer geeigneten Stromversorgung.  
Das CU475-E erfordert einen Dreiphasenstromkreis 4,5 kW 400 V bei 50-60Hz
- Verbinden Sie die Drähte richtig entsprechend ihrer Farbcodierung. Das Gerät ist wie folgt verdrahtet:

Drahtfarbe	Drahtfunktion	An Anschlüsse der Stromversorgung
Gelb/grün	Erdungsleitung, Schutzleiter	Mit E gekennzeichnete Anschluss
Blau	Neutralleiter, Nullleiter	Mit N gekennzeichnete Anschluss
Braun, grau und schwarz	Spannungsführende Kabel, Phase L1, L2, L3	Mit L1, L2, L3 gekennzeichnete Anschluss

- Das Gerät muss geerdet werden. Bei Fragen wenden Sie sich bitte an einen qualifizierten Elektriker.
- Elektroisolierpunkte dürfen nicht blockiert werden. Bei einem Notstopp müssen diese Punkte jederzeit sofort zugänglich sein.

### Zusammenbau

Dieses Gerät ist mit einstellbaren Füßen ausgestattet, damit es sicher und waagrecht aufgestellt werden kann. Die Einstellung der Füße sollte nach Abschluss des elektrischen Anschlusses ausgeführt werden. Siehe dazu den Abschnitt „Elektroanschlüsse“ oben. Eine weitere Montage ist nicht erforderlich.

**Hinweis: Reinigen Sie vor dem ersten Gebrauch alle Teile gut. Vollständig trocknen lassen.**

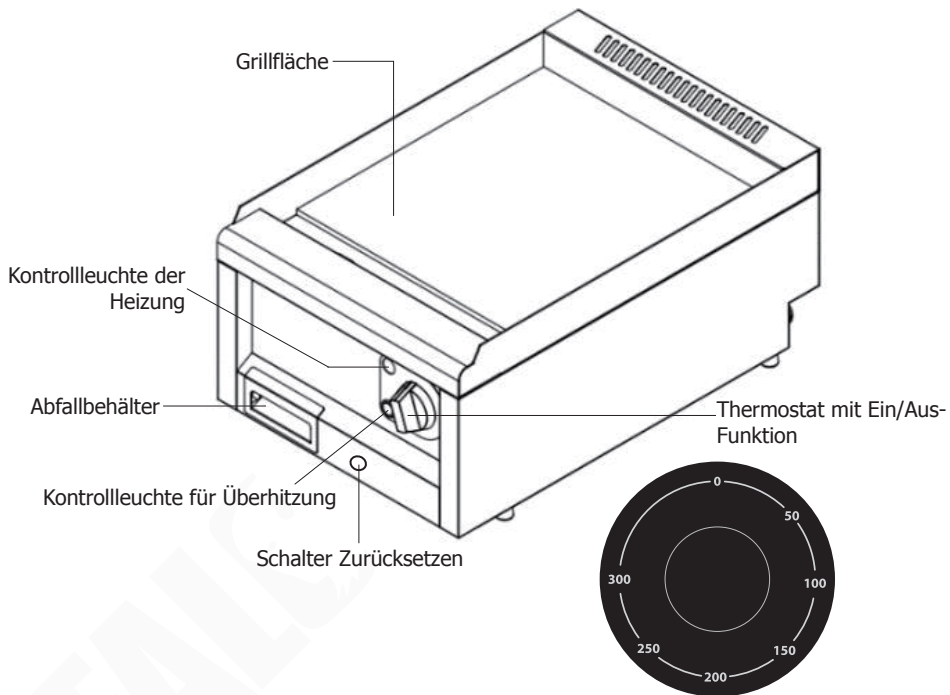
## Vor der ersten Benutzung

Vor dem ersten Gebrauch muss die Grillfläche vorbereitet werden.

1. Vergewissern Sie sich, dass die Grillflächen sauber sind und bestreichen Sie sie dann mit Speiseöl.
2. Schalten Sie das Gerät mit dem Thermostatschalter ein und stellen Sie ihn auf 110 °C. Die Kontrollleuchte der Heizung leuchtet auf.
3. Wenn die eingestellte Temperatur erreicht ist, schaltet sich die Kontrollleuchte der Heizung aus.
4. Schalten Sie das Gerät aus und lassen Sie es abkühlen, bevor Sie das überschüssige Öl abwischen.
5. Das Gerät ist jetzt einsatzbereit.

## Bedienung

## (Gezeigtes Modell: CU473-E)



## Zubereitung

**Hinweis: BUFFALO empfiehlt, die Grillfläche vor dem Grillen leicht zu ölen.**

1. Schalten Sie das Gerät mit dem Thermostatschalter ein.
2. Stellen Sie den Thermostat auf die gewünschte Temperatur ein (50 °C - 300 °C). Die Kontrollleuchte der Heizung leuchtet auf und das Gerät beginnt zu heizen.
  - **Hinweis: Das Einstellen des Thermostats auf eine höhere als die erforderliche Temperatur führt nicht zu einer verkürzten Aufheizzeit.**
3. Wenn die eingestellte Temperatur erreicht ist, schaltet sich die Kontrollleuchte der Heizung aus.
  - **Hinweis: Während der Verwendung schaltet sich die Kontrollleuchte der Heizung abwechselnd ein/aus und zeigt damit an, dass die eingestellte Temperatur gehalten wird.**
4. Legen Sie die Lebensmittel auf die Grillfläche und grillen Sie sie wie gewünscht.
5. Stellen Sie den Thermostat nach dem Gebrauch auf „0“ (AUS) und trennen Sie das Gerät von der Stromversorgung.

**Warnung: Die Lebensmittel und die Grillflächen sind sehr heiß. Seien Sie vorsichtig, um Verbrennungen zu vermeiden!**

## Thermische Abschaltung zurücksetzen

Das Gerät ist mit einem Sicherheitsschalter für thermische Abschaltung ausgestattet. Sollte die Temperatur einen sicheren Wert überschreiten, schaltet sich das Gerät automatisch aus. Der Thermo­schalter befindet sich auf der Vorderseite des Geräts. Um das Gerät nach einer ausreichenden Abkühlungszeit zurückzusetzen:

1. Die Abdeckung des Schalters Zurücksetzen abschrauben.
2. Drücken Sie den kleinen Schalter Zurücksetzen mit einem stumpfen Spitzeninstrument nach unten, bis er einrastet.
3. Das Gerät ist nun zurückgesetzt und kann wie gewohnt verwendet werden.

## Reinigung, Pflege und Wartung

**Das Gerät sollte nach jedem Betriebstag gereinigt werden; je nach Umfang des Grillens kann es jedoch sein, dass es häufiger gereinigt werden muss.**

**Verwenden Sie keine Scheuermittel zum Reinigen des Geräts.**

Wenn sich Fett ansammelt, beginnt es zu verkohlen und zu verhärten und lässt sich nur schwer entfernen. Um dies zu verhindern, befolgen Sie die nachstehenden Reinigungsschritte:

1. Schalten Sie das Gerät vor der Reinigung immer AUS und trennen Sie es von der Stromversorgung.
2. Lassen Sie das Gerät vor dem Reinigen abkühlen.
3. Bei einer Ansammlung von verbranntem Fett oder Speiseresten muss die Grillfläche gründlich gereinigt und neu eingefettet werden.

**Warnung: Es ist wichtig, dass die Grillfläche nach dem Reinigen wieder eingefettet wird. Verwenden Sie keine Stahlwolle, da diese Ruchstücke hinterlassen kann, die Lebensmittel verunreinigen könnten.**

4. Das Gerät von außen mit warmer Seifenlauge und einem feuchten Tuch reinigen.
5. Nach der Reinigung gründlich abtrocknen.

### Reinigen der Auffangschale

- Dieses Gerät verfügt über eine Auffangschale für Flüssigkeiten und Fette, die während des Grillens ablaufen.
- Nehmen Sie die Auffangschale mindestens einmal am Tag heraus und leeren Sie sie, bevor Sie sie mit warmem Seifenwasser reinigen.
- Lassen Sie die Auffangschale nicht überfüllt werden, da sonst überschüssiges Fett aus der Überlauföffnung an der Vorderseite der Auffangschale herausläuft.

**Warnung: Entfernen Sie die Auffangschale nicht während oder unmittelbar nach dem Gebrauch, da der Inhalt heiß ist.**

## Technische Spezifikationen

Hinweis: Aufgrund unseres kontinuierlichen Forschungs- und Entwicklungsprogramms können sich die hier aufgeführten Spezifikationen ohne vorherige Ankündigung ändern.

Modell	Spannung	Leistung (max.)	Temperaturbereich	Abmessungen der Grillfläche (mm)	Produktabmessungen H x B x T (mm)	Nettogewicht
<b>CU473-E</b> <b>CU474-E</b>	230 V 1N~, 50 - 60 Hz	3 kW	50 °C - 300 °C	396 x 410	240 x 400 x 600	24,1 kg
<b>CU475-E</b>	400 V 3N~, 50 - 60 Hz	4,5 kW	50 °C - 300 °C	596 x 410	240 x 600 x 600	35,1 kg

Modell	Typ des Steckers
<b>CU475-E</b>	N.V.
<b>CU473-E/CU474-E</b>	CEE 7/7

## Störungssuche

Falls erforderlich, muss ein qualifizierter Techniker Reparaturen durchführen.

Störung	Vermutliche Ursache	Lösung	
Das Gerät läuft nicht	Das Gerät ist nicht eingeschaltet	Überprüfen Sie das Fehlerstromrelais und die Überstromsicherung in der Stromleitung und schalten Sie das Gerät ein (Nur für CU475-E)	Prüfen, ob der Netzstecker in die Steckdose gesteckt wurde und das Gerät eingeschaltet ist (Nur für CU473-E und CU474-E)
	Kabel ist beschädigt	Kabel ersetzen	
	Fehler Netzstromversorgung	Prüfen Sie die Netzstromversorgung	
Das Gerät erreicht die eingestellte Temperatur nicht oder heizt nur langsam auf	Defekter Thermostat	Wenden Sie sich an einen qualifizierten Techniker	
	Defektes Heizelement	Wenden Sie sich an einen qualifizierten Techniker	
	Fettablagerungen auf der Garfläche	Das Gerät reinigen	
Das Gerät heizt auf, aber die Kontrollleuchte leuchtet nicht auf.	Defekte Kontrollleuchte	Wenden Sie sich an einen qualifizierten Techniker	
Die Kontrollleuchte der Heizung leuchtet auf, aber das Gerät heizt nicht auf	Defekter Thermostat	Wenden Sie sich an einen qualifizierten Techniker	
	Defektes Heizelement	Wenden Sie sich an einen qualifizierten Techniker	
	Thermostat falsch eingestellt	Thermostat prüfen	
Kein Strom	Thermische Abschaltung aktiviert	Warten Sie, bis das Gerät abgekühlt ist. Bitte überprüfen Sie, ob Ihr Gerät sicher ist und keine offensichtlichen Schäden aufweist, und drücken Sie dann den Schalter zum Zurücksetzen	
Gerät überhitzt oder beginnt zu rauchen	Thermostat beschädigt	Sofort ausschalten. Wenden Sie sich an einen qualifizierten Techniker	

## Konformität

Das WEEE-Logo an diesem Produkt oder in der Dokumentation weist darauf hin, dass das Produkt nicht mit dem normalen Hausmüll entsorgt werden darf. Um potenziellen Gesundheits- bzw. Umweltschäden vorzubeugen, muss das Produkt durch einen zugelassenen und umweltverträglichen Recyclingprozess entsorgt werden. Ausführliche Informationen zur korrekten Entsorgung dieses Produkts erhalten Sie von Ihrem Produktlieferanten oder der für die Müllentsorgung in Ihrer Region zuständige Behörde.



Buffalo-Teile wurden strengen Produkttests unterzogen, um die von internationalen, unabhängigen und Bundesbehörden festgelegten Normen und Spezifikationen zu erfüllen. Buffalo-Produkte sind für die Verwendung des folgenden Symbols zugelassen:



**Alle Rechte vorbehalten. Kein Teil dieser Anleitung darf ohne vorherige schriftliche Genehmigung von Buffalo in irgendeiner Form oder mit irgendwelchen Mitteln, sei es elektronisch, mechanisch, durch Fotokopie, Aufzeichnung oder anderweitig, erstellt oder übertragen werden.**

**Es werden alle Anstrengungen unternommen um sicherzustellen, dass alle Angaben zum Zeitpunkt der Drucklegung korrekt sind. Buffalo behält sich jedoch das Recht vor, Spezifikationen ohne vorherige Ankündigung zu ändern.**

## Istruzioni per la sicurezza

### **PERICOLO DI ALTA TENSIONE!**

**Linee guida per la sicurezza elettrica:**

**Spegnere e scollegare sempre l'alimentazione dell'apparecchio prima di procedere all'installazione, alla manutenzione/riparazione e quando l'apparecchio non è in uso.**

**L'apparecchio deve essere collegato alla rete elettrica esclusivamente da un elettricista qualificato. Collegare l'apparecchio a una fonte di alimentazione adeguata, con tensione appropriata e capacità di potenza sufficiente. Per i requisiti di tensione e potenza, consultare l'etichetta dell'apparecchio.**

**Collegare l'apparecchio a un circuito protetto da un interruttore differenziale (RCD).**

**Non inserire in nessun caso una spina sul cavo (pour les appareils câblés uniquement).**

**L'inosservanza di queste istruzioni di sicurezza solleva Buffalo da qualsiasi responsabilità e comporta l'annullamento della garanzia.**

- Posizionare su una superficie piana e stabile.
- L'installazione e le eventuali riparazioni devono essere eseguite da un agente/tecnico qualificato. Non rimuovere alcun componente da questo prodotto.
- Rispettare le seguenti norme locali e nazionali:
  - Norme sugli infortuni sul lavoro
  - Linee guida BS EN
  - Precauzioni antincendio
  - Norme IEE sui circuiti elettrici
  - Norme sugli edifici

- **Durante l'uso alcune superfici si scaldano. Prestare attenzione quando si utilizza l'apparecchio.**
- **Durante e dopo la cottura, l'unità risulta molto calda. Non toccarne la superficie per evitare ustioni.**
- NON immergere l'apparecchio in acqua.
- NON pulire con dispositivi a getto o a pressione.
- NON trasportare l'apparecchio quando è caldo.
- NON lasciare l'apparecchio incustodito mentre è in funzione.
- NON ostruire o coprire in alcun modo l'apparecchio mentre è in funzione.
- Non adatto per l'uso all'aperto.
- Quando l'apparecchio non viene utilizzato, spegnerlo e scollegarlo sempre dalla rete elettrica.
- Questo apparecchio deve essere utilizzato solo in conformità con le presenti istruzioni e da persone competenti.
- Tenere lontano l'imballaggio dalla portata dei bambini. Smaltire l'imballaggio in conformità alle normative locali.
- Se è danneggiato, il cavo di alimentazione deve essere sostituito da un agente di Buffalo o da un tecnico qualificato per evitare possibili rischi.
- L'apparecchio non è destinato a essere utilizzato da persone (inclusi i bambini) con ridotte capacità fisiche, sensoriali o mentali, o prive della necessaria esperienza e conoscenza dell'apparecchio, che non abbiano ricevuto supervisione o istruzioni relative all'utilizzo dell'apparecchio dalle persone responsabili della loro sicurezza.
- I bambini devono essere sorvegliati per evitare che giochino con l'apparecchio.
- Buffalo consiglia di fare testare questo apparecchio periodicamente (almeno una volta all'anno) da una persona competente. I test devono comprendere, tra gli altri: ispezione visiva, controllo della polarità, continuità dei conduttori di terra, continuità dell'isolamento e prove di funzionamento.



## Introduzione

Leggere con attenzione il presente manuale. La manutenzione e l'utilizzo corretti di questo apparecchio consentiranno di ottenere le massime prestazioni da questo prodotto Buffalo.

### Buffalo non potrà essere ritenuta responsabile per i guasti del prodotto nei casi in cui:

- Le istruzioni del presente manuale non sono state seguite correttamente.
- La friggitrice è stata regolata da personale non qualificato o non autorizzato.
- Sono stati utilizzati ricambi non originali.
- L'apparecchio non è stato gestito o pulito correttamente.
- L'apparecchio è stato utilizzato per uno scopo non previsto.
- L'apparecchio è stato utilizzato da personale non addestrato o che non conosce il corretto utilizzo dell'unità.

## Contenuto della confezione

Sono inclusi i seguenti componenti:

- Piastra Buffalo
- Manuale di istruzioni

BUFFALO garantisce una qualità e un servizio impeccabili e assicura che al momento dell'imballaggio tutti i componenti forniti sono perfettamente funzionanti e privi di difetti.

Se si rilevano danni causati dal trasporto del prodotto, rivolgersi immediatamente al rivenditore BUFFALO locale.

## Installazione



**Avvertenza: L'installazione, l'uso, la manutenzione o la pulizia non appropriati dell'apparecchio, così come qualsiasi modifica, possono causare danni materiali e lesioni personali. Leggere attentamente e comprendere tutte le istruzioni prima dell'installazione.**

**Prima dell'installazione e dell'utilizzo rientra nella responsabilità dell'utente garantire il rispetto di tutte le norme per la salute e sicurezza relative al posizionamento, alla spaziatura, alla ventilazione, all'impianto elettrico e al rischio di incendio.**

- Estrarre l'apparecchio dall'imballaggio, avendo cura di rimuovere dalle sue superfici tutti gli imballaggi protettivi, la plastica e i residui.
- Posizionare l'unità su una superficie resistente al calore. Non appoggiarla su materiali infiammabili o nelle loro vicinanze. Per garantire una ventilazione adeguata, lasciare uno spazio di 20 cm tra l'apparecchio e le pareti o altri oggetti.
- Tenere l'unità lontano dagli schizzi d'acqua e dai bordi dei piani di lavoro.

### Cablaggio elettrico (Solo per CU473-E e CU474-E)

La spina deve essere collegata a una presa di corrente appropriata.

L'apparecchio ha i seguenti cablaggi:

- Filo sotto tensione (colore marrone) a terminale L
- Filo del neutro (colore blu) a terminale N
- Filo di terra (colore verde/giallo) a terminale E

Questo apparecchio deve essere collegato a terra.

In caso di dubbi, consultare un elettricista qualificato.

I punti di interruzione dell'alimentazione elettrica devono rimanere privi di ostacoli. In caso di emergenza devono essere facilmente raggiungibili, qualora sia necessario interrompere l'alimentazione.





## Cablaggio elettrico (Solo per CU475-E)



### PERICOLO di scariche elettriche in caso di collegamento errato

**Pericolo di morte se i cavi sono collegati in modo errato.**

**L'apparecchio deve essere collegato a una rete di alimentazione compatibile esclusivamente da un tecnico elettrico qualificato e competente.**

**Avvertenza: Il cablaggio fisso del collegamento del cavo di alimentazione deve essere dotato di un dispositivo di disconnessione (interruttore di protezione dalle dispersioni) con una distanza di contatto maggiore di 30 mm secondo le norme di cablaggio.**

Collegare l'unità in base alle norme vigenti del proprio Paese, stato federale, città o autorità locale. Collegare l'unità a una rete di alimentazione standard.

Per un corretto collegamento elettrico, regolare i valori di potenza in base alle condizioni e ai requisiti locali.



Il terminale di collegamento equipotenziale negli apparecchi elettrici serve a collegare le parti metalliche e conduttive esposte dei dispositivi elettrici e altri dispositivi negli apparecchi elettrici con conduttori di terra artificiali o naturali per ridurre le differenze di potenziale (al fine di ridurre e prevenire il rischio di scariche elettriche).

- Questo apparecchio viene fornito senza spina e deve essere collegato a una rete elettrica compatibile. L'unità CU475-E deve essere collegata a un circuito elettrico trifase da 4,5 kW, 400 V, 50-60Hz
- Collegare correttamente i fili in base al loro codice colore. L'apparecchio ha i seguenti cablaggi:

Colore del filo	Funzione del filo	Ai terminali dell'alimentazione
Giallo/Verde	Filo di messa a terra, conduttore di protezione	Terminale contrassegnato con E
Blu	Filo neutro, conduttore neutro	Terminale contrassegnato con N
Marrone, grigio e nero	Fili sotto tensione, Fase L1, L2, L3	Terminale contrassegnato con L1, L2, L3

- L'apparecchio deve disporre di una messa a terra. In caso di dubbi, consultare un elettricista qualificato.
- I punti di interruzione dell'alimentazione elettrica devono rimanere privi di ostacoli. In caso di emergenza devono essere facilmente raggiungibili, qualora sia necessario interrompere l'alimentazione.

### Assemblaggio

Questo apparecchio è dotato di piedini regolabili per il posizionamento sicuro e stabile dell'unità. Questa operazione deve essere eseguita dopo aver completato i collegamenti elettrici. Consultare la sezione "Cablaggio elettrico", sopra. Non è necessario ulteriore assemblaggio.

**Nota: prima del primo utilizzo, pulire bene tutti i componenti. Lasciare asciugare completamente.**

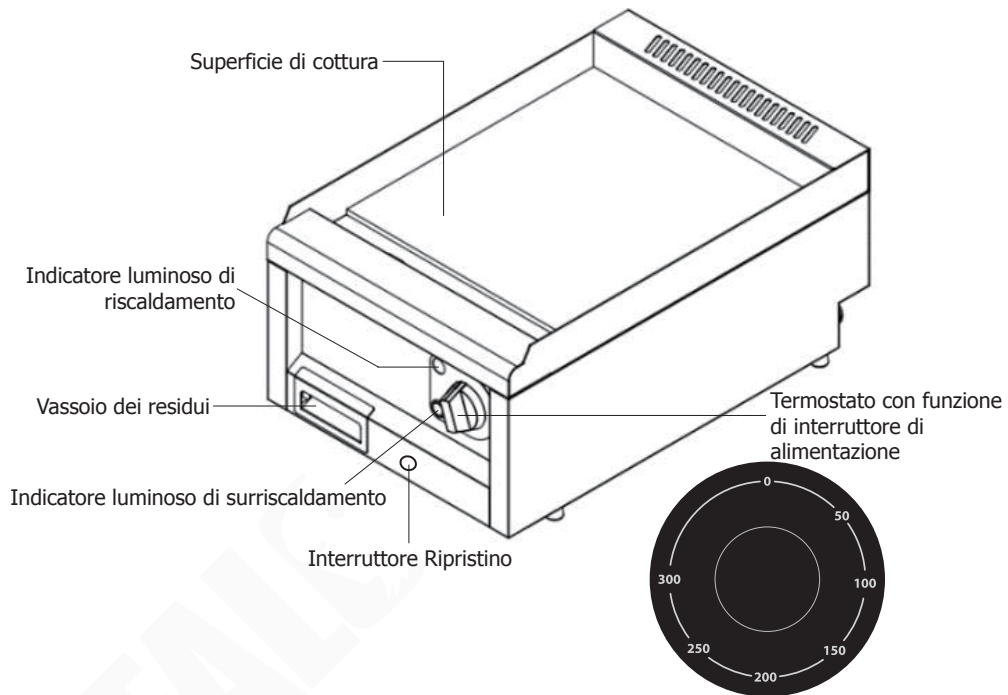
## Prima del primo utilizzo

Prima del primo utilizzo è necessario condizionare la superficie di cottura.

1. Verificare che le superfici di cottura siano pulite, quindi spennellare le superfici con olio da cucina.
2. Accendere l'apparecchio dopo averlo collegato alla rete elettrica e impostare il termostato a 110 °C. Si illumina l'indicatore del riscaldamento.
3. Una volta raggiunta la temperatura impostata, l'indicatore di riscaldamento si spegne.
4. Spegnerne l'apparecchio e lasciarlo raffreddare prima di rimuovere l'eventuale olio in eccesso.
5. Ora l'apparecchio è pronto per l'uso.

## Utilizzo

(Modello mostrato: CU473-E)



## Cottura

**Nota: BUFFALO consiglia di ungere leggermente la superficie di cottura prima di cuocere.**

1. Accendere l'apparecchio dopo averlo collegato alla rete elettrica.
2. Impostare il termostato alla temperatura desiderata (50-300 °C). L'indicatore di riscaldamento si illumina; l'apparecchio inizia a scaldarsi.
  - **Nota: Regolando il termostato a un valore superiore a quello necessario, non si riduce il tempo di riscaldamento.**
3. Una volta raggiunta la temperatura impostata, l'indicatore di riscaldamento si spegne.
  - **Nota: durante l'uso, l'indicatore di riscaldamento si illumina e si spegne più volte indicando il mantenimento della temperatura impostata.**
4. Posare gli alimenti sulla superficie di cottura e cuocere in base alle esigenze.
5. Dopo l'uso, portare il termostato in posizione "0" (posizione di spegnimento) e scollegare l'apparecchio dalla rete elettrica.

**Avvertenza: gli alimenti e le superfici di cottura sono molto caldi. Prestare attenzione per evitare ustioni!**

## Reimpostazione dell'interruttore termico

L'apparecchio è dotato di un interruttore termico di sicurezza. Se la temperatura supera i livelli di sicurezza, l'apparecchio interrompe automaticamente l'alimentazione.

L'interruttore termico si trova nella parte anteriore dell'unità. Per ripristinare l'apparecchio dopo un periodo di raffreddamento adeguato:

1. Svitare il coperchio dell'interruttore di ripristino.
2. Utilizzando uno strumento con la punta arrotondata, premere verso il basso il piccolo interruttore di ripristino fino a sentire un "clic".
3. A questo punto, il dispositivo è ripristinato e può essere usato normalmente.

## Pulizia, cura e manutenzione

**L'apparecchio deve essere pulito dopo ogni giornata di utilizzo; tuttavia, potrebbe essere necessario pulirlo più spesso a seconda della quantità di alimenti che vengono cotti.**

**Non utilizzare detergenti abrasivi sull'apparecchio.**

Se si lascia che il grasso si accumuli, inizierà a carbonizzarsi trasformandosi in una sostanza dura ed estremamente difficile da rimuovere. Per evitarlo, seguire la procedura di pulizia descritta di seguito:

1. Spegnerne sempre l'apparecchio e scollegarlo dal l'alimentazione prima di pulirlo.
2. Prima di pulire l'apparecchio lasciarlo raffreddare.
3. Se si accumula del grasso bruciato o dei residui di cibo, la superficie di cottura deve essere accuratamente raschiata a fondo e condizionata.

**Avvertenza: È fondamentale condizionare la superficie di cottura dopo averla raschiata a fondo. non usare lana d'acciaio: può lasciare frammenti che potrebbero contaminare gli alimenti.**

4. Usare acqua calda saponata e un panno umido per pulire le superfici esterne dell'apparecchio.
5. Dopo la pulizia lasciar asciugare completamente.

### Pulire il vassoio dei residui

- Questo apparecchio è dotato di un vassoio dei residui che raccoglie i liquidi o i grassi che fuoriescono durante la cottura.
- Almeno una volta al giorno, rimuovere e svuotare il vassoio dei residui quindi lavarlo con acqua calda e sapone.
- Evitare che il vassoio si riempia eccessivamente, altrimenti il grasso in eccesso uscirà dal foro di troppo-pieno nella parte anteriore del vassoio.

**Avvertenza: Non rimuovere il vassoio dei residui durante l'uso o immediatamente dopo, perché il contenuto sarà caldo.**

## Specifiche tecniche

Nota: a seguito delle continue attività di ricerca e sviluppo, le specifiche qui riportate sono soggette a modifiche senza preavviso.

Modello	Tensione	Potenza (max)	Intervallo di temperatura	Dimensioni della superficie di cottura	Dimensioni del prodotto A x L x P (mm)	Peso netto
<b>CU473-E</b> <b>CU474-E</b>	230 V 1 N~, 50-60 Hz	3 kW	50 °C - 300 °C	396 x 410 mm	240 x 400 x 600	24,1 kg
<b>CU475-E</b>	400 V 3 N~, 50-60 Hz	4,5 kW	50 °C - 300 °C	596 x 410 mm	240 x 600 x 600	35,1 kg

Modello	Type de fiche
<b>CU475-E</b>	N.A.
<b>CU473-E/ CU474-E</b>	CEE 7/7

## Risoluzione dei problemi

Se necessario, contattare un tecnico qualificato per le eventuali riparazioni.

Problema	Probabile causa	Azione	
L'unità non funziona	L'apparecchio non è acceso	Controllare l'interruttore differenziale e il fusibile di sovracorrente sulla linea di alimentazione, quindi accendere (Solo per CU475-E)	Controllare che l'apparecchio sia collegato correttamente e che sia acceso (Solo per CU473-E e CU474-E)
	Il cavo di alimentazione è danneggiato	Sostituire il cavo di alimentazione	
	Guasto alimentazione di rete	Controllare l'alimentazione di rete	
L'apparecchio non raggiunge la temperatura impostata o si riscalda lentamente	Termostato difettoso	Rivolgersi a un tecnico qualificato	
	Resistenza difettosa	Rivolgersi a un tecnico qualificato	
	Grasso accumulato sulla superficie di cottura	Pulire il dispositivo	
L'apparecchio si riscalda ma l'indicatore non si illumina	Spia luminosa difettosa	Rivolgersi a un tecnico qualificato	
L'indicatore di riscaldamento si illumina ma l'apparecchio non si scalda	Termostato difettoso	Rivolgersi a un tecnico qualificato	
	Resistenza difettosa	Rivolgersi a un tecnico qualificato	
	Termostato impostato in modo errato	Controllare il termostato	
Alimentazione assente	Interruttore termico attivato	Attendere che l'unità si raffreddi. Controllare che l'apparecchio sia in condizioni di sicurezza e privo di danni evidenti, quindi premere l'interruttore di ripristino	
L'unità si surriscalda o inizia a fumare	Termostato danneggiato	Spegnere immediatamente. Rivolgersi a un tecnico qualificato	

## Conformità

Il logo RAEE su questo prodotto o sulla documentazione indica che il prodotto non può essere smaltito come normale rifiuto domestico. Per evitare possibili danni alla salute e/o all'ambiente, il prodotto deve essere smaltito con una procedura approvata e sicura per l'ambiente. Per ulteriori informazioni su come smaltire in maniera corretta questo prodotto, contattare il fornitore del prodotto o l'ente locale responsabile per lo smaltimento dei rifiuti.



I componenti Buffalo sono sottoposti a un rigoroso collaudo per verificarne la conformità alle condizioni e alle specifiche di legge previste dalle autorità internazionali, indipendenti e locali.

I prodotti Buffalo sono autorizzati a esporre il seguente simbolo:



**Tutti i diritti riservati. È vietata la riproduzione o la trasmissione in qualsiasi forma, elettronica, meccanica, mediante fotocopia o altro sistema di riproduzione, di qualsiasi parte delle presenti istruzioni senza previa autorizzazione scritta di Buffalo. Le informazioni contenute sono corrette e accurate al momento della stampa, tuttavia Buffalo si riserva il diritto di modificare le specifiche senza preavviso.**

## Consejos de Seguridad

### ¡PELIGRO DE ALTA TENSIÓN!

#### Requisitos eléctricos:

**Apague y desconecte siempre el suministro de alimentación del aparato antes de la instalación, cuando no esté en uso, antes de limpiar y antes de realizar tareas de mantenimiento/servicio.**

**Únicamente un electricista cualificado debe conectar este aparato a la red eléctrica. Instale eléctricamente el aparato en un suministro de alimentación adecuado con el voltaje correcto y suficiente capacidad energética. Consulte la etiqueta de características del aparato para más información sobre los requisitos de tensión y potencia.**

**Conecte el aparato a un circuito protegido mediante un RCD (dispositivo de corriente residual) adecuado.**

**En ningún caso instale un enchufe en el cable (sólo para aparatos cableados).**

**No respetar estas instrucciones de seguridad eximirá a Buffalo de toda responsabilidad y anulará la garantía.**

- Colóquela sobre una superficie plana, estable.
- Un agente de servicio / técnico cualificado debería llevar a cabo la instalación y cualquier reparación si se precisa. No retire ninguna pieza del producto.
- Consulte las Normas Locales y Nacionales correspondientes a lo siguiente:
  - Legislación de Seguridad e Higiene en el Trabajo
  - Códigos de Práctica BS EN
  - Precauciones contra Incendios
  - Normativos de Cableado de la IEE
  - Normativas de Construcción

- **Algunas superficies estarán calientes durante el uso. Preste especial atención al usar el aparato.**
- **La unidad está caliente durante y tras el cocinado. No toque nunca la superficie para evitar quemarse.**
- NO sumerja el aparato en agua.
- NO utilice limpiadores de chorro ni a presión para limpiarlo.
- NO lo transporte si está caliente.
- NO deje el aparato desatendido mientras esté en funcionamiento.
- NO obstruya ni tape el aparato cuando esté en uso.
- No es adecuado para el uso en exteriores.
- Apague y desconecte siempre la alimentación cuando no esté usando el aparato.
- Este aparato solamente debe ser utilizado en conformidad con estas instrucciones y por personas competentes.
- Mantenga el embalaje lejos del alcance de los niños. Elimine el embalaje de acuerdo con las normas de las autoridades locales.
- Si el cable eléctrico está dañado, debe ser reemplazado por un agente de Buffalo o un técnico cualificado recomendado para evitar cualquier riesgo.
- Este aparato no debe ser utilizado por personas (incluidos los niños) que tengan sus capacidades físicas, sensoriales o mentales reducidas o que no cuenten con experiencia y conocimientos a menos que lo hagan bajo la supervisión o siguiendo instrucciones relativas al uso del aparato a través de una persona responsable de su seguridad.
- Los niños deben estar supervisados para garantizar que no juegan con el aparato.
- Buffalo recomienda que este aparato debe ser periódicamente probado (al menos anualmente) por una Persona Competente. Las pruebas deben incluir, entre otras: Inspección visual, ensayo de polaridad, puesta a tierra, continuidad de aislamiento y prueba de funcionamiento.



## Introducción

Tómese unos minutos para leer este manual. El correcto mantenimiento y manejo de esta máquina proporcionará el mejor funcionamiento posible de su producto Buffalo.

### Buffalo no se hace responsable de los fallos del producto en los casos siguientes:

- Si no se respetan correctamente las instrucciones de este manual.
- Personal no cualificado o no autorizado ha realizado ajustes en la freidora.
- Si se usan piezas de repuesto no originales.
- Si el aparato no es manipulado y limpiado correctamente.
- Si el aparato se usa con propósitos para los cuales no ha sido diseñado.
- Si el aparato lo usa personal no cualificado o no familiarizado con el uso de la unidad.

## Contenido del Conjunto

Se incluye:

- Parrilla Buffalo
- Manual de instrucciones

BUFFALO se enorgullece de su calidad y servicio y asegura que en el momento del embalaje, el contenido se suministró con plena funcionalidad y sin ningún defecto.

Si encontrara algún daño resultante del transporte, póngase en contacto inmediatamente con su distribuidor BUFFALO.

## Instalación



**Advertencia: La instalación, uso, mantenimiento o limpieza incorrectos del equipo, además de cualquier modificación no autorizada, puede causar daños materiales y lesiones mortales. Lea y comprenda detenidamente todas las instrucciones antes de la instalación.**

**Antes de instalar y usar el aparato, el usuario es responsable de que se respeten todas las normas de salud y seguridad relacionadas con el posicionamiento seguro, el espaciado, la ventilación, la instalación eléctrica y el riesgo de incendio.**

- Extraiga el aparato de su envase, asegurándose de limpiar completamente todo el envoltorio protector, el plástico y los residuos de su superficie.
- Coloque la unidad sobre una superficie resistente al calor. Evite colocarla sobre o cerca de materiales inflamables. Para que la ventilación sea adecuada, el aparato debe estar a una distancia mínima de 20 cm (7 pulgadas) de la pared o de cualquier otro objeto.
- Mantenga el aparato lejos del borde de la encimera y protéjalo de las salpicaduras de agua.

### Cableado Eléctrico (Sólo para CU473-E y CU474-E)

El enchufe tiene que conectarse a una toma eléctrica adecuada.

Este aparato está conectado de la forma siguiente:

- Cable cargado (de color marrón) al terminal marcado como L
- Cable neutro (de color azul) al terminal marcado como N
- Cable de tierra (de color verde / amarillo) al terminal marcado como E

Este aparato debe conectarse a una toma de tierra.

Si tiene alguna duda, consulte a un electricista cualificado.

Los puntos de aislamiento eléctrico deben mantenerse libres de cualquier obstrucción. En caso de precisarse una desconexión de emergencia, deben estar disponibles de forma inmediata.



## Cableado Eléctrico (Sólo para CU475-E)



### PELIGRO de descarga eléctrica a causa de una conexión incorrecta

Existe un peligro mortal si los cables no se conectan correctamente.

La conexión a un suministro de alimentación adecuado solamente debe realizar un ingeniero eléctrico cualificado y competente.

**Advertencia:** El cableado fijo de la conexión del cable de alimentación debe estar equipado con un dispositivo de desconexión (interruptor de protección de fugas) con una distancia de contacto superior a los 30 mm en conformidad con las normas del cableado.

Conecte la unidad en conformidad con las normativas aplicables de su país, estado, ciudad o ayuntamiento.

Conecte la unidad a una red de suministro energético estándar.

Para realizar una conexión eléctrica correcta, ajuste la potencia nominal al entorno y requisitos locales.



El terminal de conexión equipotencial en aparatos eléctricos conecta el metal expuesto y las piezas conductoras de los dispositivos eléctricos y otros dispositivos en aparatos eléctricos con conductores de toma a tierra artificiales o naturales para reducir las diferencias potenciales (reducir y prevenir el riesgo de descargas eléctricas).

- El aparato se suministra sin enchufe y requiere su conexión a un suministro de alimentación eléctrica adecuado.

CU475-E requiere un circuito trifásico de 4,5 kW 400 V a 50-60Hz

- Conecte los cables correctamente en conformidad con su codificación de color. Este aparato está conectado de la forma siguiente:

Color del cable	Función del cable	A los terminales del suministro eléctrico
Amarillo/verde	Cable de toma a tierra, conductor protector	Terminal E marcado
Azul	Cable neutro, conductor neutro	Terminal N marcado
Marrón, gris y negro	Cables con carga, fase L1, L2, L3	Terminal marcado L1, L2, L3

- El aparato debe conectarse a tierra. Si tiene alguna duda, consulte a un electricista cualificado.
- Los puntos de aislamiento eléctrico deben mantenerse libres de cualquier obstrucción. En caso de precisarse una desconexión de emergencia, deben estar disponibles de forma inmediata.

## Montaje

Este aparato tiene patas ajustables que permiten colocar la unidad de modo seguro y nivelado. Debe llevarse a cabo al finalizar la conexión eléctrica. Consulte la sección 'Cableado eléctrico' anterior. No es necesario realizar ningún montaje.

**Nota:** Limpie bien todas las piezas antes del primer uso. Deje secar completamente.

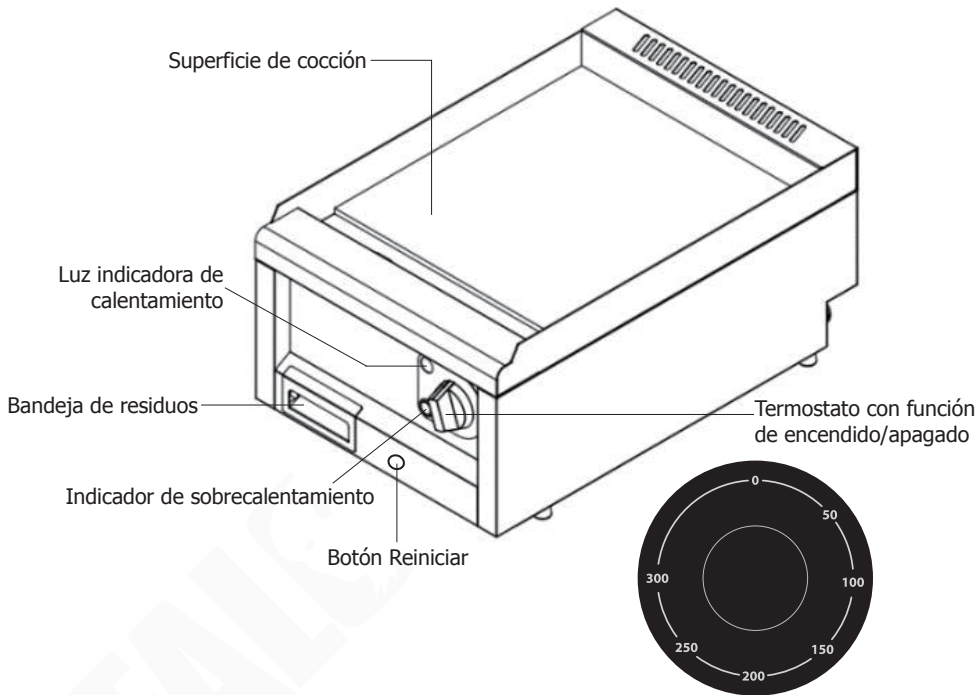
## Antes del primer uso

Antes de usar el aparato por primera vez, debe sazonar la superficie de cocción.

- Asegúrese de que las superficies de cocción estén limpias y, a continuación, engrase las superficies con aceite de cocción.
- Encienda el aparato en la red eléctrica y ajuste el termostato a 110 °C. El indicador de calentamiento se enciende.
- Una vez alcanzada la temperatura ajustada, el indicador de calentamiento se apaga.
- Apague el aparato y espere hasta que se enfríe antes de limpiar cualquier exceso de aceite.
- El aparato está listo para el uso.



## Funcionamiento (modelo mostrado: CU473-E)



### Cocción

**Nota: BUFFALO recomienda engrasar ligeramente la superficie de cocción antes del uso.**

1. Encienda el aparato en la red eléctrica.
2. Ajuste el termostato a la temperatura deseada (50 °C-300 °C). El indicador de calentamiento se enciende y el aparato empieza a calentarse.
  - **Nota: Ajustar el termostato a un nivel superior al necesario no acortará el tiempo de calentamiento.**
3. Una vez alcanzada la temperatura ajustada, el indicador de calentamiento se apaga.
  - **Nota: Durante el uso, el indicador de calentamiento se encenderá y apagará, indicando que la temperatura ajustada se está manteniendo.**
4. Coloque los alimentos sobre la superficie de cocción y cocine según requiera.
5. Después del uso, ajuste el termostato en "0" (apagado) y desconecte el aparato de la red eléctrica.

**Advertencia: Los alimentos y las superficies de cocción están muy calientes. ¡Preste atención para evitar quemarse!**

## Restablecimiento de corte térmico

El aparato tiene un interruptor de seguridad de corte térmico. Si la temperatura excede los niveles de seguridad, el aparato cortará automáticamente la corriente.

El interruptor de corte térmico se encuentra en la parte delantera de la unidad. Para restablecer el aparato después de un período de enfriamiento suficiente:

1. Desatornille la tapa del interruptor de reinicio.
2. Presione con un instrumento de punta roma el pequeño interruptor de reinicio hasta que haga clic.
3. El dispositivo se reinicia y se puede usar con normalidad.

## Limpeza, Cuidado y Mantenimiento

**Es necesario limpiar el aparato al final de cada día; sin embargo, podría ser necesario limpiarlo con mayor frecuencia en función de las condiciones de uso.**

**No utilice productos de limpieza abrasivos en el aparato.**

Si permite la acumulación de grasa, comenzará a carbonizarse y se transformará en una sustancia extremadamente difícil de limpiar. Para prevenirlo, siga los pasos de limpieza siguientes:

1. Apague siempre el aparato y desconéctelo de la red eléctrica antes de limpiarlo.
2. Permita que el aparato se enfríe antes de limpiarlo.
3. Si se acumula grasa o alimentos quemados, la superficie de cocción debe rasparse a fondo y volver a sazonarse.

**Advertencia: Es fundamental volver a alfiar la superficie de cocción después de fregarla. No use estropajos de lana de acero, ya que pueden dejar residuos que contaminen los alimentos.**

4. Utilice agua tibia y jabón y un paño húmedo para limpiar el exterior del aparato.
5. Séquelo bien después de limpiarlo.

### Limpe la bandeja de residuos

- Este aparato tiene una bandeja de residuos para recoger el líquido o la grasa producidos durante la cocción.
- Retire y vacíe la bandeja de residuos al menos una vez al día antes de lavarla con agua tibia y jabonosa.
- No permita que la bandeja rebose, ni que la grasa fluya por el orificio de desborde de la parte delantera de la bandeja.

**Advertencia: No extraiga la bandeja de residuos durante o inmediatamente después del uso, puesto que los contenidos están calientes.**

## Especificaciones Técnicas

Nota: Debido a nuestro continuo programa de investigación y desarrollo, las especificaciones aquí expuestas pueden estar sujetas a cambios sin previo aviso.

Modelo	Tensión	Potencia (Máx.)	Margen de Temperaturas	Dimensiones de la superficie de cocción (mm)	Dimensiones del producto al. x al. x p. (mm)	Peso neto
<b>CU473-E</b> <b>CU474-E</b>	230 V 1N~, 50-60 Hz	3 kW	50 °C - 300 °C	396 x 410	240 x 400 x 600	24,1 kg
<b>CU475-E</b>	400V 3N~, 50-60 Hz	4,5 kW	50 °C - 300 °C	596 x 410	240 x 600 x 600	35,1 kg

Modelo	Type de fiche
<b>CU475-E</b>	N.A.
<b>CU473-E/ CU474-E</b>	CEE 7/7

## Resolución de problemas

Un técnico calificado debe realizar las reparaciones si es necesario.

Fallo	Causa probable	Acción	
La unidad no funciona	El aparato no está conectado	Compruebe el relé de corriente residual y el fusible de sobrecorriente en la línea de la red eléctrica y encienda (Sólo para CU475-E)	Compruebe que el aparato esté enchufado correctamente y conectado (Sólo para CU473-E y CU474-E)
	El enchufe y el cable están dañados	Sustituya el enchufe o el cable	
	Fallo de la fuente de alimentación de red	Compruebe la red eléctrica	
El aparato no alcanza la temperatura establecida o el calentamiento es lento	Termostato averiado	Consulte con un técnico cualificado	
	Elemento calefactor averiado	Consulte con un técnico cualificado	
	Acumulación de grasa en la superficie de cocción	Limpie el aparato	
El aparato se calienta pero la luz indicadora no se enciende	Indicador luminoso defectuoso	Consulte con un técnico cualificado	
El elemento indicador de calentamiento se enciende pero el aparato no se ha calentado	Termostato averiado	Consulte con un técnico cualificado	
	Elemento calefactor averiado	Consulte con un técnico cualificado	
	Termostato ajustado incorrectamente	Compruebe el termostato	
Sin energía	Corte térmico activado	Espere a que el aparato se enfríe. Compruebe que la máquina esté segura y que no presente daños obvios, a continuación, pulse el interruptor de restablecimiento	
La unidad se sobrecalienta o emite humo	El termostato está estropeado	Apague el dispositivo inmediatamente. Consulte con un técnico cualificado	

## Cumplimiento

El logotipo WEEE en este producto o su documentación indica que no debe eliminarse como un residuo doméstico. Para ayudar a prevenir posibles daños a la salud humana y/ o el medio ambiente, el producto debe eliminarse en un proceso de reciclaje aprobado y medioambientalmente seguro. Para obtener más información sobre cómo eliminar correctamente este producto, póngase en contacto con el proveedor del mismo o la autoridad local responsable de la eliminación de residuos en su zona.

Las piezas Buffalo han pasado estrictas pruebas de productos para cumplir las especificaciones y normas reguladoras establecidas por las autoridades internacionales, independientes y federales.

Los productos Buffalo han sido aprobados para exhibir el siguiente símbolo:



**Reservados todos los derechos. Puede estar prohibida la reproducción o transmisión en cualquier forma o por cualquier medio electrónico, mecánico, de fotocopiado, registro o de otro tipo, de cualquier parte de estas instrucciones sin la autorización previa y por escrito de Buffalo.**

**Se ha hecho todo lo posible para garantizar que todos los datos son correctos en el momento de su publicación; sin embargo, Buffalo se reserva el derecho a modificar las especificaciones sin que medie notificación previa.**

# DECLARATION OF CONFORMITY

• Conformanceverklaring • Déclaration de conformité • Konformitätserklärung • Dichiarazione di conformità •  
• Declaración de conformidad

<b>Equipment Type</b> • Uitrustingstype • Type d'équipement • Gerätetyp • Tipo di apparecchiatura • Tipo de equipo 600 Series Electric Griddle 400mm wide 600 Series Electric Griddle (ribbed plate) 400mm wide 600 Series Dual Zone Electric Griddle 600mm wide 600 Series Electric Griddle 400mm 2.9kW 600 Series Electric Griddle (ribbed plate) 400mm 2.9kW 600 Series Dual Zone Electric Griddle 600mm wide - Single Phase	<b>Model</b> • Modèle • Modell • Modello • Modelo CU473(-E) CU474(-E) CU475 HT753 HT754 HT755
<b>Application of Territory Legislation &amp; Council Directives(s)</b> Toepassing van Europese Richtlijn(en) • Application de la/des directive(s) du Conseil • Anwendbare EU-Richtlinie(n) • Applicazione delle Direttive • Aplicación de la(s) directiva(s) del consejo	<b>Low Voltage Directive (LVD) - 2014/35/EU</b> Electrical Equipment (Safety) Regulations 2016 EN 60335-1:2012 +A11:2014 +A13:2017 +A1:2019 +A14:2019 +A2:2019 +A15:2021 EN 60335-2-36:2002 +A1:2004 +A2:2008 +A11:2012 EN62233:2008  <b>Electro-Magnetic Compatibility (EMC) Directive 2014/30/EU - recast of 2004/108/EC</b> Electromagnetic Compatibility Regulations 2016 (S.I. 2016/1091) EN IEC 55014-1: 2021 EN IEC 55014-2: 2021 EN IEC 61000-3-2: 2019+A1: 2021 EN 61000-3-3: 2013+A1: 2019+A2: 2021 EN 61000-3-12: 2011, EN IEC 61000-3-11: 2019  <b>Restriction of Hazardous Substances Directive (RoHS) 2011/65/EU amending Annex II to Directive 2011/65/EU</b> Restriction of the Use of Certain Hazardous Substances in Electrical and Electronic Equipment Regulations 2012 (S.I. 2012/3032)
<b>Manufacturer Name</b> • Naam fabrikant • Nom du fabricant • Name des Herstellers • Nome del fabbricante • Nombre del fabricante	<b>Buffalo</b>

I, the undersigned, hereby declare that the equipment specified above conforms to the above Territory Legislation, Directive(s) and Standard(s).

Ik, de ondergetekende, verklaar hierbij dat de hierboven gespecificeerde uitrusting goedgekeurd is volgens de bovenstaande Richtlijn(en) en Standaard(en).

Je soussigné, confirme la conformité de l'équipement cité dans la présente à la / aux Directive(s) et Norme(s) ci-dessus

Ich, der/die Unterzeichnende, erkläre hiermit, dass das oben angegebene Gerät der/den oben angeführten Richtlinie(n) und Norm(en) entspricht.

Il sottoscritto dichiara che l'apparecchiatura di sopra specificata è conforme alle Direttive e agli Standard sopra riportati.

El abajo firmante declara por la presente que el equipo arriba especificado está en conformidad con la(s) directiva(s) y estándar(es) arriba mencionadas.

**Date** • Data • Date • Datum • Data • Fecha

**Signature** • Handtekening • Signature • Unterschrift Firma • Firma

**Full Name** • Volledige naam • Nom et prénom • Vollständiger Name • Nome completo • Nombre completo

**Position** • Functie • Fonction • Position • Qualifica • Posición

**Manufacturer Address** • Adres fabrikant • Adresse du fabricant • Adresse des Herstellers • Indirizzo del fabbricante • Dirección del fabricante

13<sup>th</sup> Nov 2024

DocuSigned by:

*Ashley Hooper*  
B39382C9FD9C478

Ashley Hooper

DocuSigned by:

*Eoghan Donnellan*  
D352874F7FAB460

Eoghan Donnellan

**Group Head of Product Quality & Compliance**

**Commercial Manager/ Importer**

**Fourth Way,  
Avonmouth,  
Bristol,  
BS11 8TB  
United Kingdom**

**Unit 9003,  
Blarney Business Park,  
Blarney,  
Co. Cork  
Ireland**





<b>UK</b>	<b>+44 (0)845 146 2887</b>
<b>Eire</b>	
<b>NL</b>	<b>040 – 2628080</b>
<b>FR</b>	<b>01 60 34 28 80</b>
<b>BE-NL</b>	<b>0800-29129</b>
<b>BE-FR</b>	<b>0800-29229</b>
<b>DE</b>	<b>0800 – 1860806</b>
<b>IT</b>	<b>N/A</b>
<b>ES</b>	<b>901-100 133</b>







<http://www.buffalo-appliances.com/> 

CU473-CU474-CU475-HT753-HT754-HT755\_ML\_A5\_v3\_2025/01/21